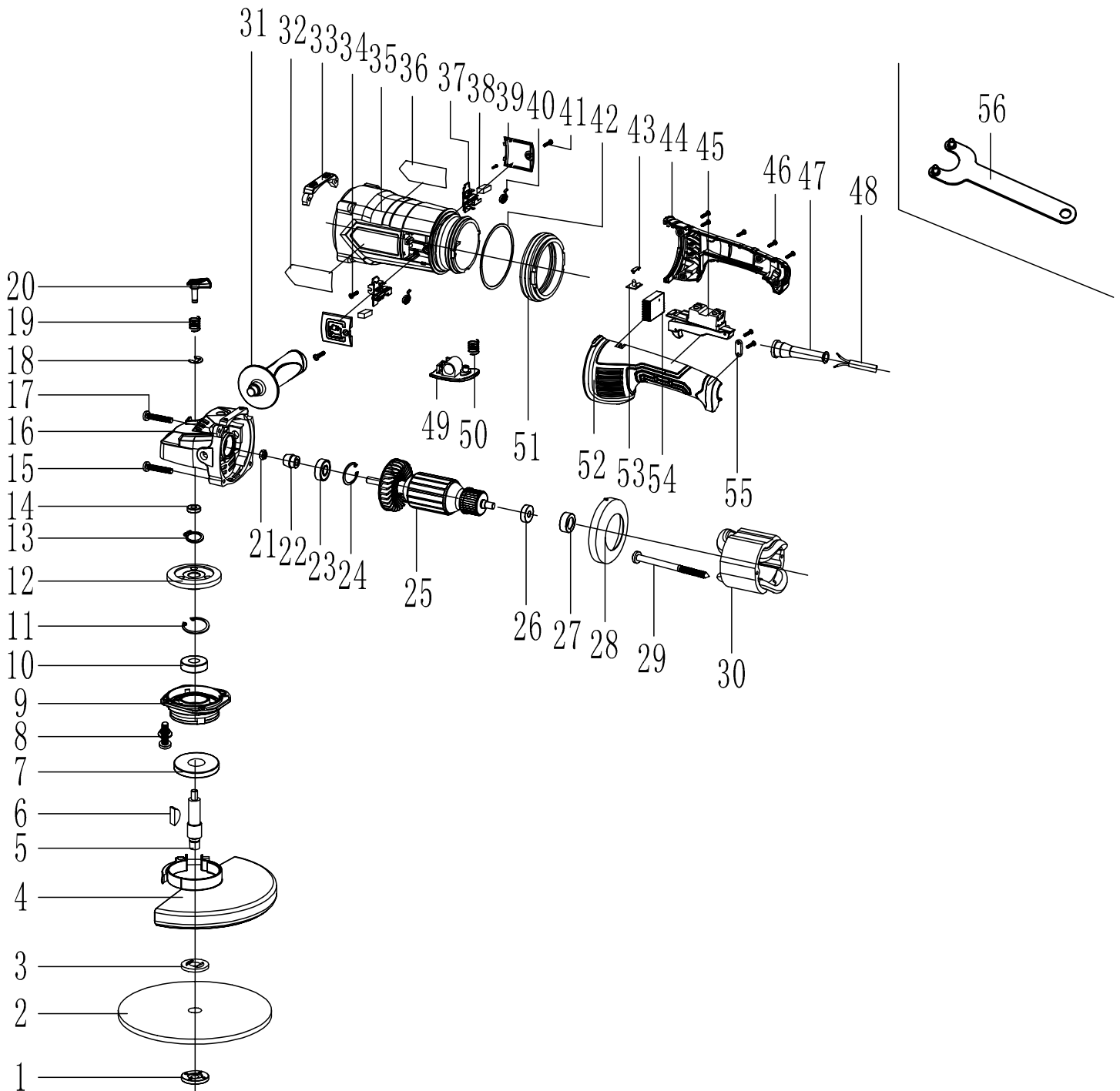


2600W 230mm

ANGLE GRINDER

56610 – AG2600/230E SPARE PARTS DRAWING





2600W 230mm

ANGLE GRINDER

56610 – AG2600/230E SPARE PARTS LISTING

KEY No.	PART No.	STOCK No.	DESCRIPTION
2		N/A	Grinding wheel
4	YAG2400/230D-04	98541	Grinding guard
59	YAG2400/230D-59	98542	Cutting guard
1	YAG2400/230D-05	98543	Output shaft assembly
3			
5			
6			
7			
8		N/A	Cross slot screw
9		N/A	Front cover
10	YAG2400/230D-12	98544	Large Gear Assembly
11			
12			
13			
14			
15		N/A	Cross slot screw
16		N/A	Gear housing
17		N/A	Cross slot screw
18		N/A	Clamp spring
19		N/A	Self-lock spring
20		N/A	Self-lock pin
21	YAG2400/230D-22	98545	Small Gear Bearing
22			
23			
24			
25	YAG2600/230E-25	98555	Rotor Assembly
26			
27			
28		N/A	Shield ring

KEY No.	PART No.	STOCK No.	DESCRIPTION
29		N/A	Cross slot screw
30	YAG2400/230D-30	98547	Stator
31	YAG2600/230E-32	98556	Anti-vibration handle
32		N/A	Name plate
33		N/A	Gear housing protector
34		N/A	Cross slot screw
35		N/A	Body housing
36		N/A	Data sticker
37	YAG2400/230D-38	98552	Carbon Brush Assembly (Pair)
38			
39			
40		N/A	Coil spring
41		N/A	Cross slot screw
42		N/A	Spacing ring
43		N/A	Indicated light cover
44		N/A	Right rear handle
45	YAG2400/230D-45	98553	Switch
46		N/A	Cross slot screw
47		N/A	Cable shroud
48		N/A	Cable
49		N/A	Rotation button
50		N/A	Rotation spring
51		N/A	Anti-vibration ring
52		N/A	Left rear handle
53		N/A	Indicted light
54	YAG2600/230E-56	98557	PCB
55		N/A	Cable clamp
56		N/A	Wrench