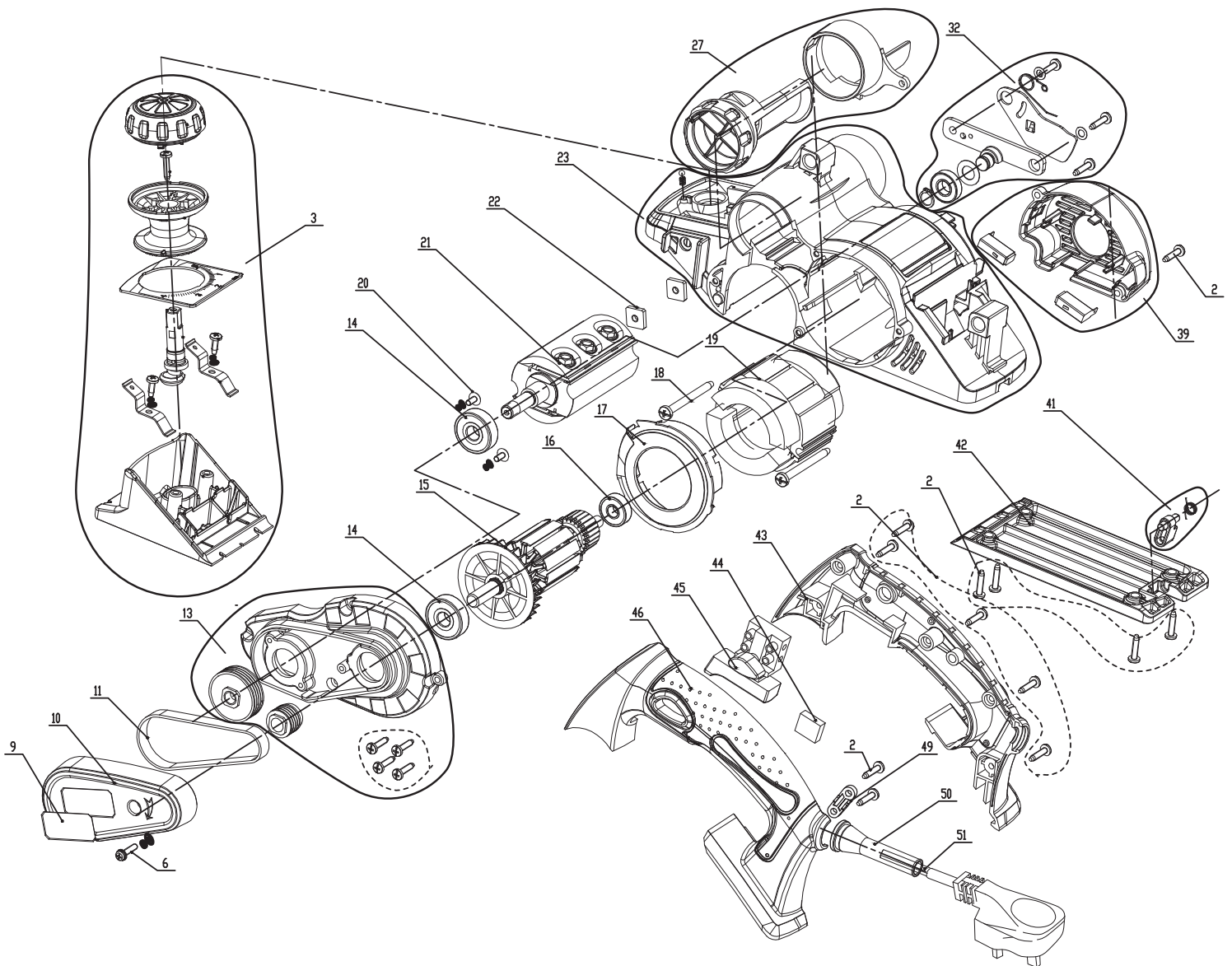


# PLANER

57575 - P950E82/4 SPARE PARTS DRAWING





230V 4MM

# PLANNER

57575 - P950E82/4 SPARE PARTS LISTING



KEY No.	PART No.	STOCK No.	DESCRIPTION
2	YP950E82/4-2	97148	Screw ST4.2X18
3	YP950E82/4-3	97183	Adjust-hand handle assembly
10	YP950E82/4-10	97184	Belt Cover
11	YP950E82/4-11	97185	Belt 4PJ-240
13	YP950E82/4-13	97274	Middle Cover assembly
14	YP950E82/4-14	97296	Bearing6200
15	YP950E82/4-15	97299	Rotor
16	YP950E82/4-16	97300	Bearing608
17	YP950E82/4-17	97304	Guide wind circle
18	YP950E82/4-18	97308	Screw ST4.8X55
19	YP950E82/4-19	97115	Stator
20	YP950E82/4-20	97121	Screw M4X10
21	YP950E82/4-21	97122	Knife-axis
22	YP950E82/4-22	97125	Nut M6
23	YP950E82/4-23	97126	Housing assembly
27	YP950E82/4-27	97312	Canister assembly
32	YP950E82/4-32	97127	Bearing bracket assembly
39	YP950E82/4-39	97129	Carbon brush assembly (pair)
41	YP950E82/4-41	97130	Shelf assembly
42	YP950E82/4-42	97133	Bottom plate
43	YP950E82/4-43	97135	Right handle cover
44	YP950E82/4-44	97141	Capacitor
45	YP950E82/4-45	97313	Switch
46	YP950E82/4-46	97142	Left handle cover
49	YP950E82/4-49	97143	Cable press
50	YP950E82/4-50	97144	Cable Cover
51	YP950E82/4-51	97145	Front-wheel frame

KEY No.	PART No.	STOCK No.	DESCRIPTION