

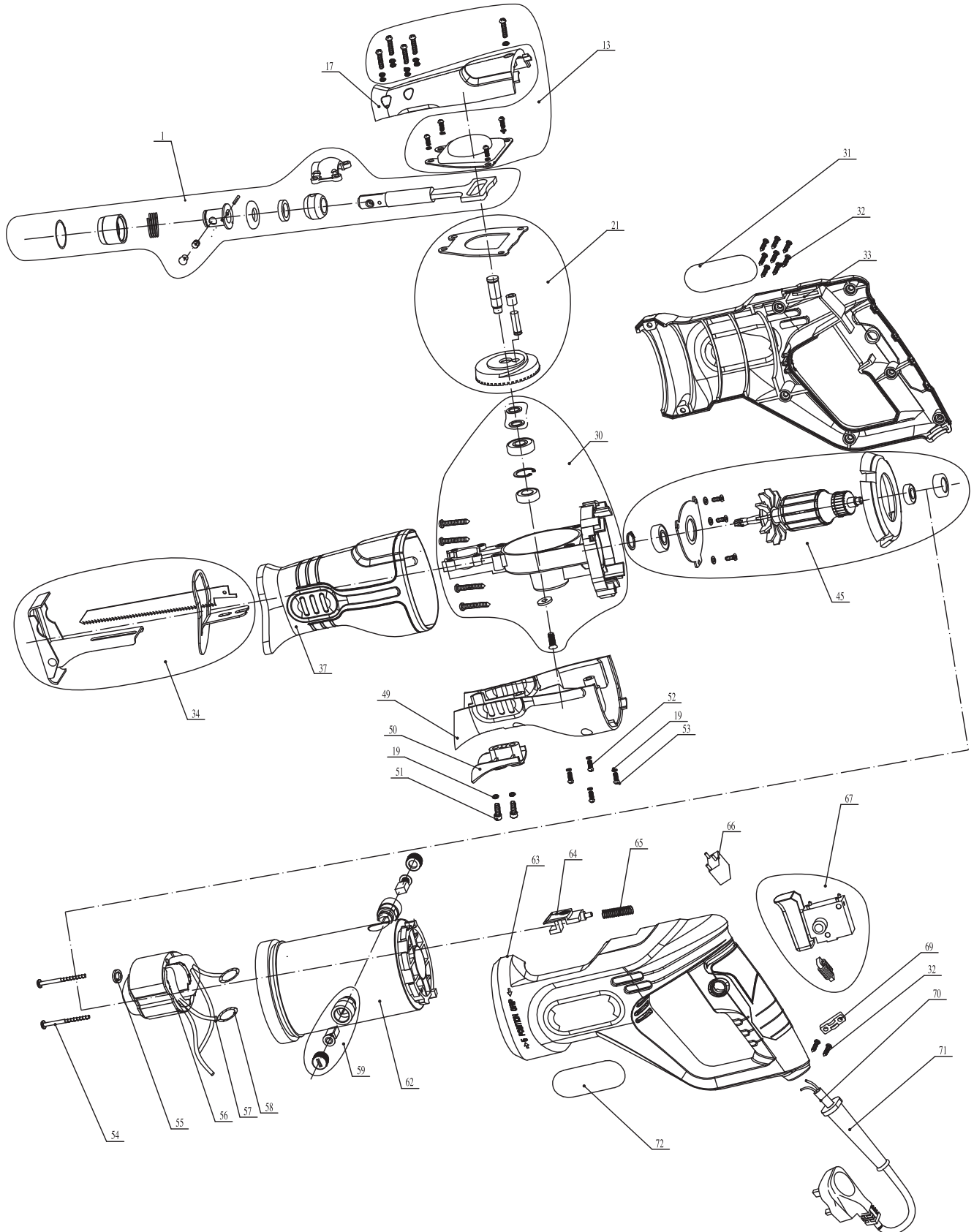
**DRAPER**®

230V

# RECIPROCATING SAW

GB

83628 - RSAW900D SPARE PARTS DRAWING





230V

# RECIPROCATING SAW



## 83628 - RSAW900D SPARE PARTS LISTING

KEY No.	PART No.	STOCK No.	DESCRIPTION
1	YRSAW900D-1	98810	Bering assembly
13	YRSAW900D-13	98822	Cover plate & fixings
17	YRSAW900D-17	98826	Gearing housing
21	YRSAW900D-21	98830	Gear assembly
30	YRSAW900D-30	98839	Gearing housing assembly
31		230V	Rating label 120v
32	YRSAW900D-32	98840	Screw M4.2x14
33	YRSAW900D-33	98841	Right handle
34	YRSAW900D-34	98842	Shoe assembly
37	YRSAW900D-37	98844	Rubber cover
45	YRSAW900D-45	98852	Rotor assembly
49	YRSAW900D-49	98856	Plastic sleeve
50	YRSAW900D-50	98857	Plastic block
51	YRSAW900D-51	98858	Hexagen screw M5x14
52	YRSAW900D-52	98859	Screw M5x18
54	YRSAW900D-54	98861	Screw M4.2x60
55	YRSAW900D-55	98862	Coil
56	YRSAW900D-56	98863	Stator 230v
57	YRSAW900D-57	98864	Terminal
58	YRSAW900D-58	98865	Spring
59	YRSAW900D-59	98866	Carbon brush assembly (pair)
62	YRSAW900D-62	98871	Housing
63	YRSAW900D-63	98872	Left handle
64	YRSAW900D-64	98873	Rotator switch
65	YRSAW900D-65	98874	Spring
66	YRSAW900D-66	98875	Capacitor
67	YRSAW900D-67	98876	Switch 230V & inductor
69	YRSAW900D-69	98878	Cable pressplate
70	YRSAW900D-70	98879	Power cord 2m length plastic
71	YRSAW900D-71	98880	Cord sleeve
72			Brand label

KEY No.	PART No.	STOCK No.	DESCRIPTION

Helpline: +44 (0) 23 8049 4344 Sales Desk: +44 (0) 23 8049 4333 General Enquiries: +44 (0) 23 8026 6355 internet: drapertools.com email: sales@drapertools.com