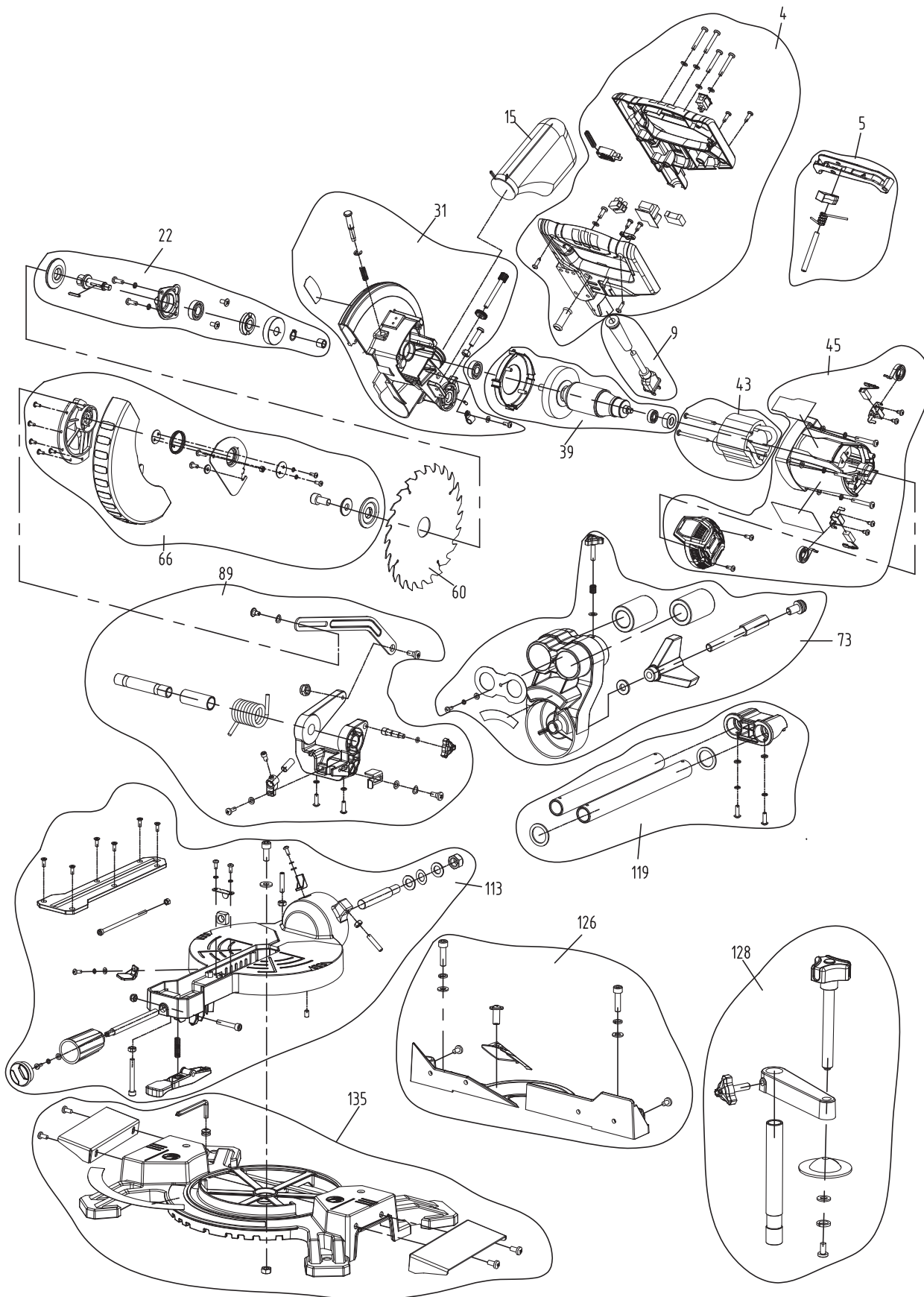


DRAPER®

230V 210mm
**SLIDING COMPOUND
MITRE
SAW**

GB

83677 - SMS210B SPARE PARTS DRAWING





230V 210mm

**SLIDING COMPOUND
MITRE
SAW**



83677 - SMS210B SPARE PARTS LISTING

KEY No.	PART No.	STOCK No.	DESCRIPTION	KEY No.	PART No.	STOCK No.	DESCRIPTION
4	YSMS210B-4A	97812	Motor handle assembly				
5	YSMS210B-5A	97813	Switch trigger assembly				
9	YSMS210B-9A	98307	Cable assembly				
15	YSMS210B-15	84260	Dust bag				
22	YSMS210B-22A	97816	Output shaft assembly				
31	YSMS210B-31A	97817	Upper blade guard assembly				
39	YSMS210B-39A	97819	Armture assembly				
43	YSMS210B-43A	97820	Stator				
45	YSMS210B-45A	98200	Motor house assembly				
60	YSMS210B-60	84321	Blade				
66	YSMS210B-66A	98201	Lower blade guard assembly				
73	YSMS210B-73A	98300	Arm assembly				
89	YSMS210B-89A	98301	Bracket assembly				
113	YSMS210B-113A	98302	Work table assembly				
119	YSMS210B-119A	98303	Slide bar assembly				
126	YSMS210B-126A	98304	Fence assembly				
128	YSMS210B-128A	98305	Work clamp assembly				
135	YSMS210B-135A	98306	Base assembly				