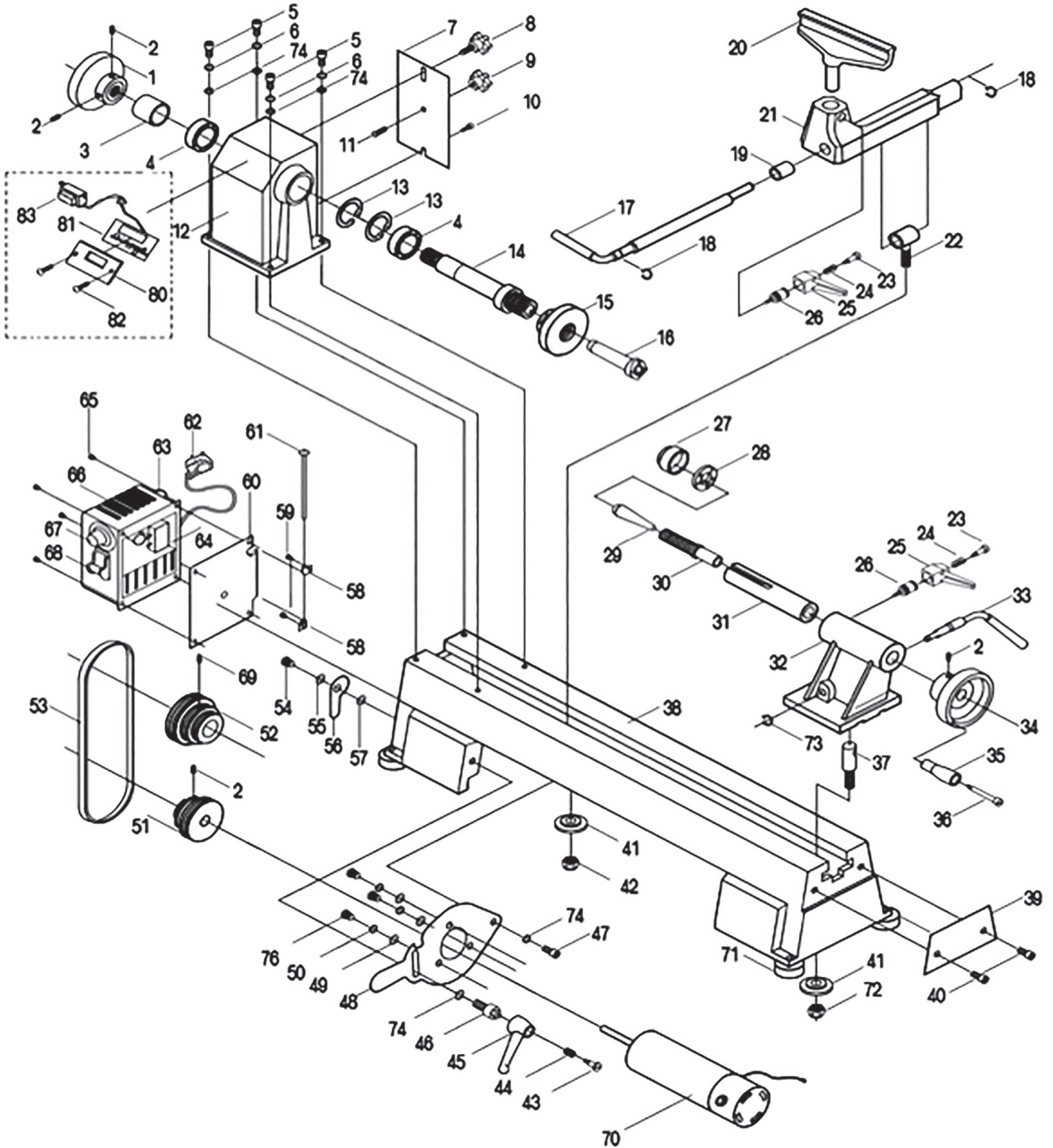




# 230V VARIABLE SPEED COMPACT WOOD LATHE

60989 - WTL457 SPARE PARTS DRAWING





# 230V VARIABLE SPEED COMPACT WOOD LATHE

## 60989 - WTL457 SPARE PARTS LISTING

Key No.	Part No.	Stock No.	Description	Key No.	Part No.	Stock No.	Description
1	YWTL457-01	62896	Hand wheel	41	YWTL457-41	62940	Lock plate
2	YWTL457-02	62897	Hex socket screw M6×12	42	YWTL457-42	62941	Nut M10
3	YWTL457-03	62898	Collar spindle	43	YWTL457-43	62942	Flat head screw
4	YWTL457-04	62899	Ball bearing 80105	44	YWTL457-44	62947	Spring washer
5	YWTL457-05	62900	Hex socket screw M8×25	45	YWTL457-45	62961	Handle
6	YWTL457-06	62901	Washer	46	YWTL457-46	62962	Lock screw
7	YWTL457-07	62902	Rear belt door	47	YWTL457-47	62964	Hex socket screw M8×12
8	YWTL457-08	62903	Moving knob	48	YWTL457-48	62967	Motor plate
9	YWTL457-09	62904	Stationary knob	49	YWTL457-49	62972	Big washer
10	YWTL457-10	62905	Bolt	50	YWTL457-50	62974	Washer
11	YWTL457-11	62906	Semi-circle head screw	51	YWTL457-51	62975	Motor pulley
12	YWTL457-12	62907	Headstock	52	YWTL457-52	62976	Drive pulley
13	YWTL457-13	62908	Retaining ring	53	YWTL457-53	62977	Drive belt
14	YWTL457-14	62910	Headstock spindle	54	YWTL457-54	62978	Bolt
15	YWTL457-15	62911	Face plate	55	YWTL457-55	62979	Washer
16	YWTL457-16	62912	Headstock spur centre	56	YWTL457-56	62980	Door latch
17	YWTL457-17	62913	Lock handle for tool rest base	57	YWTL457-57	62981	Washer
18	YWTL457-18	62914	Retaining ring	58	YWTL457-58	62982	Hinge
19	YWTL457-19	62915	Tool rest bushing	59	YWTL457-59	62983	Semi-circle head screw M4×8
20	YWTL457-20	62916	Tool rest (150mm ,300mm)	60	YWTL457-60	62985	Switch-box plate
21	YWTL457-21	62917	Tool rest base	61	YWTL457-61	63007	Pin hinge
22	YWTL457-22	62918	Tool rest cam follower	62	YWTL457-62	63021	Power cord
23	YWTL457-23	62919	Flat head screw	63	YWTL457-63	63022	Overload protector
24	YWTL457-24	62920	Spring	64	YWTL457-64	63036	Line board
25	YWTL457-25	62921	Handle	65	YWTL457-65	63075	Screw M4×6
26	YWTL457-26	62922	Lock bolt	66	YWTL457-66	63102	Switch-box
27	YWTL457-27	62923	Cup centre	67	YWTL457-67	63104	Knob
28	YWTL457-28	62924	Ball bearing 80102	68	YWTL457-68	63105	Switch
29	YWTL457-29	62925	Taper rod	69	YWTL457-69	63106	Hex screw M6×12
30	YWTL457-30	62926	Tailstock quill	70	YWTL457-70	63108	Motor
31	YWTL457-31	62927	Tail axis	71	YWTL457-71	63110	Rubber washer
32	YWTL457-32	62928	Tailstock	72	YWTL457-72	63139	Nut M10
33	YWTL457-33	62929	Eccentric axis	73	YWTL457-73	63143	Retaining ring
34	YWTL457-34	62930	Quill adjusting wheel	74	YWTL457-74	63146	Washer
35	YWTL457-35	62931	Quill crank handle	76	YWTL457-75	63149	Flat head screw
36	YWTL457-36	62932	Bolt	80	YWTL457-80	63254	Variable plate
37	YWTL457-37	62933	Cam follower tailstock	81	YWTL457-82	63281	Digital display
38	YWTL457-38	62934	Bed	82	YWTL457-81	63255	Screw
39	YWTL457-39	62935	Retaining plate	83	YWTL457-83	63282	Transformer
40	YWTL457-40	62936	Hex socket screw M10×12				