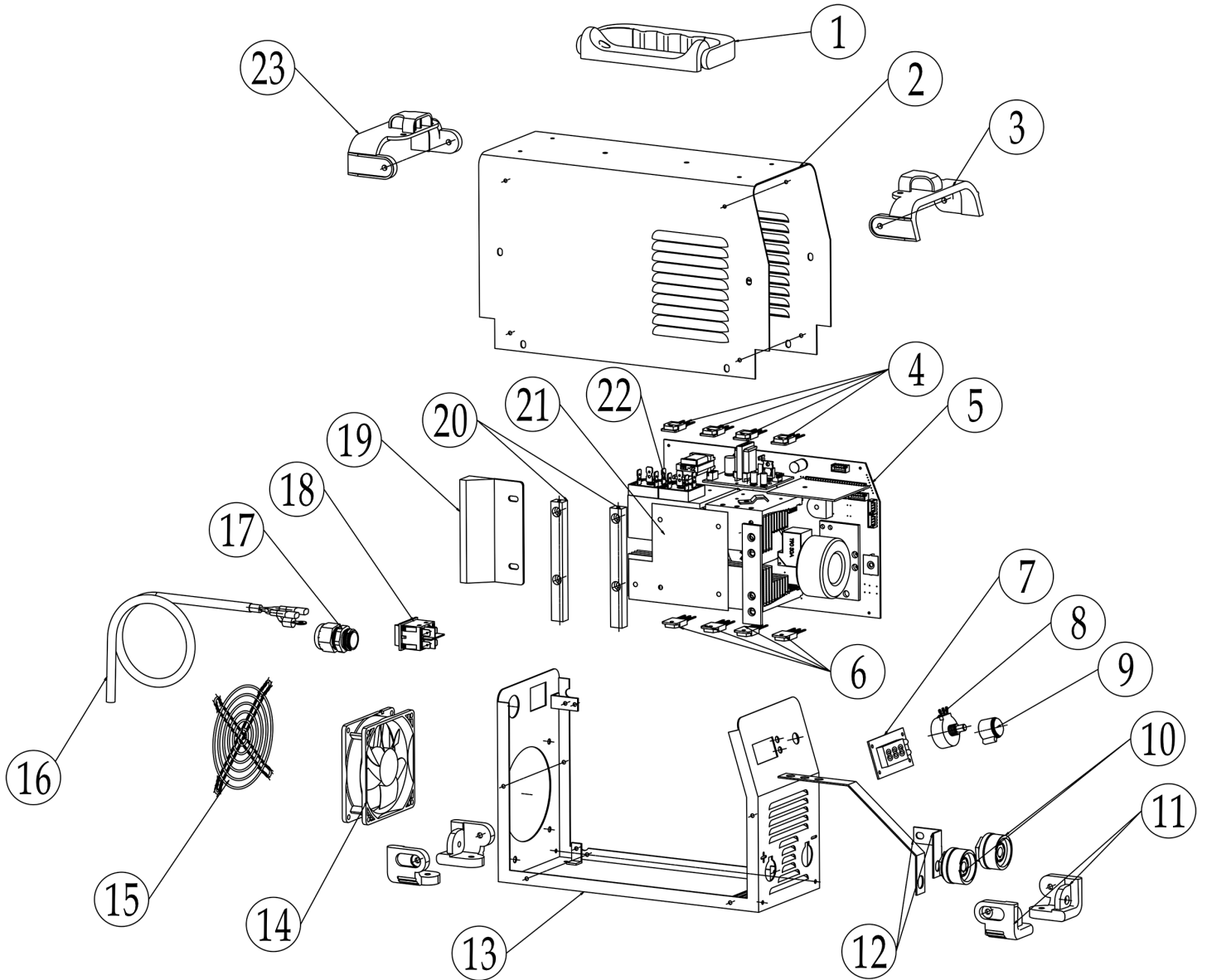


180A MMA INVERTER WELDER

70029 – INV180A SPARE PARTS DRAWING





180A MMA INVERTER WELDER

70029 – INV180A SPARE PARTS LISTING

KEY No.	PART No.	STOCK No.	DESCRIPTION	KEY No.	PART No.	STOCK No.	DESCRIPTION
1	YINV160A-1	94908	Handle				
2			(NP) Casing				
3			(NP) Front plastic piece				
4	YINV180A-4A	95149	PCB Board Assembly				
5							
6							
21							
22							
7				YINV160A-7	94913	Display meter	
8	YINV160A-8	94914	Potentiometer				
9	YINV160A-9	94915	Knob				
10	YINV160A-10	94916	Quick coupling				
11	YINV180A-11	95150	Footing				
12			(NP) Connecting bar				
13			(NP) Baseplate				
14			(NP) Fan				
15	YINV180A-15	95151	Mesh				
16			(NP) Power cable				
17			(NP) Strain relief clamp				
18	YINV160A-18	94934	Switch				
19			(NP) Baffle				
20			(NP) Support bar				