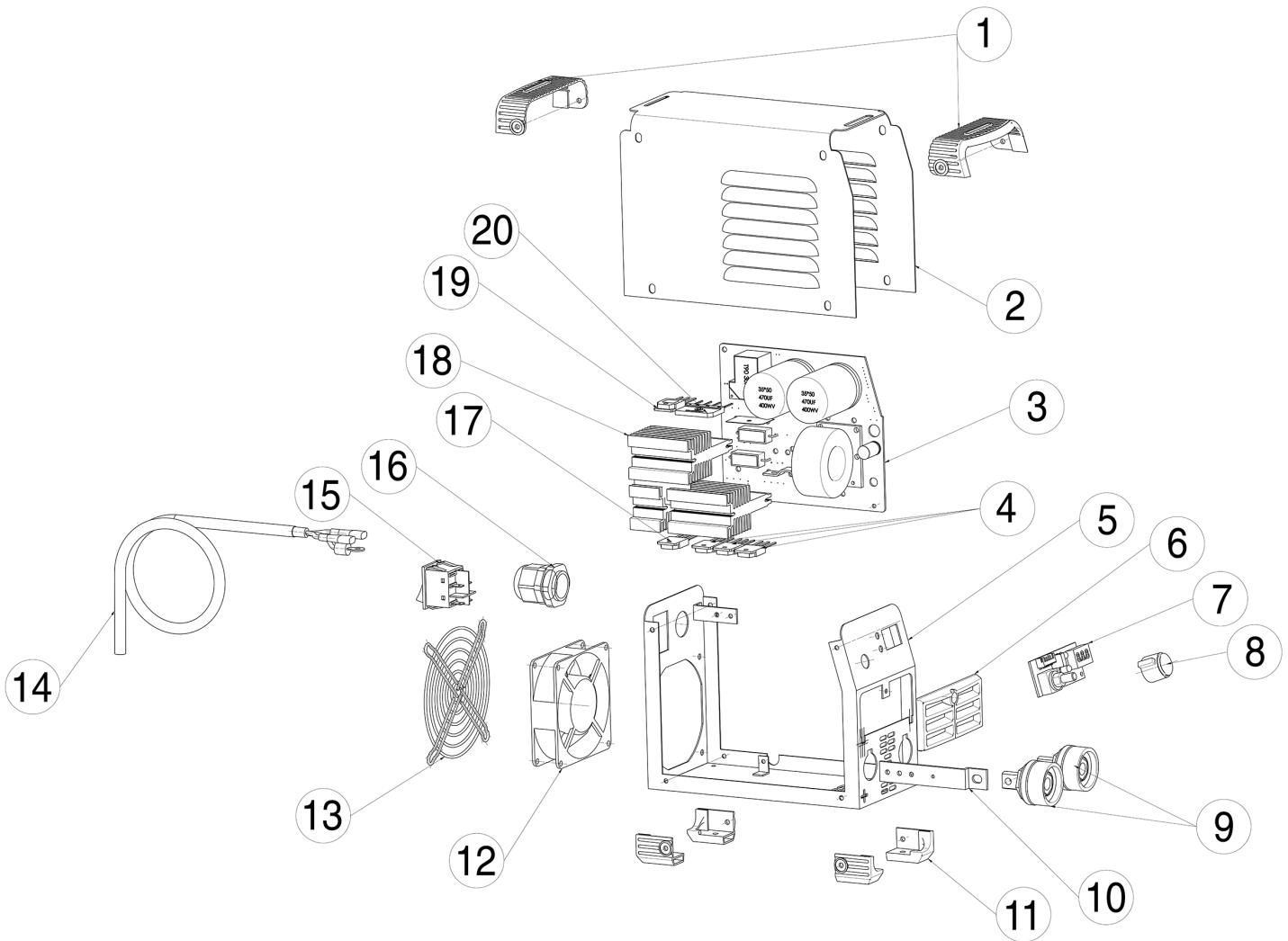


120A MMA INVERTER WELDER

70042 – INV120A/SF SPARE PARTS DRAWING

STORM FORCE





120A MMA INVERTER WELDER

70042 – INV120A/SF SPARE PARTS LISTING



KEY No.	PART No.	STOCK No.	DESCRIPTION	KEY No.	PART No.	STOCK No.	DESCRIPTION
1			(NP) Plastic part				
2			(NP) Casing				
3	Y-INV120A-3A	94814	PCB Board Assembly				
4							
7							
17							
18							
19							
20							
5			(NP) Baseplate				
6			(NP) Plastic baffle				
8	Y-INV140A-8	94811	Knob				
9	Y-INV140A-9	94812	Quick coupling				
10			(NP) Connecting bar				
11			(NP) Footing				
12			(NP) Fan				
13			(NP) Mesh				
14			(NP) Power cable				
15	Y-INV140A-15	94813	Switch				
16			(NP) Strain relief clamp				