

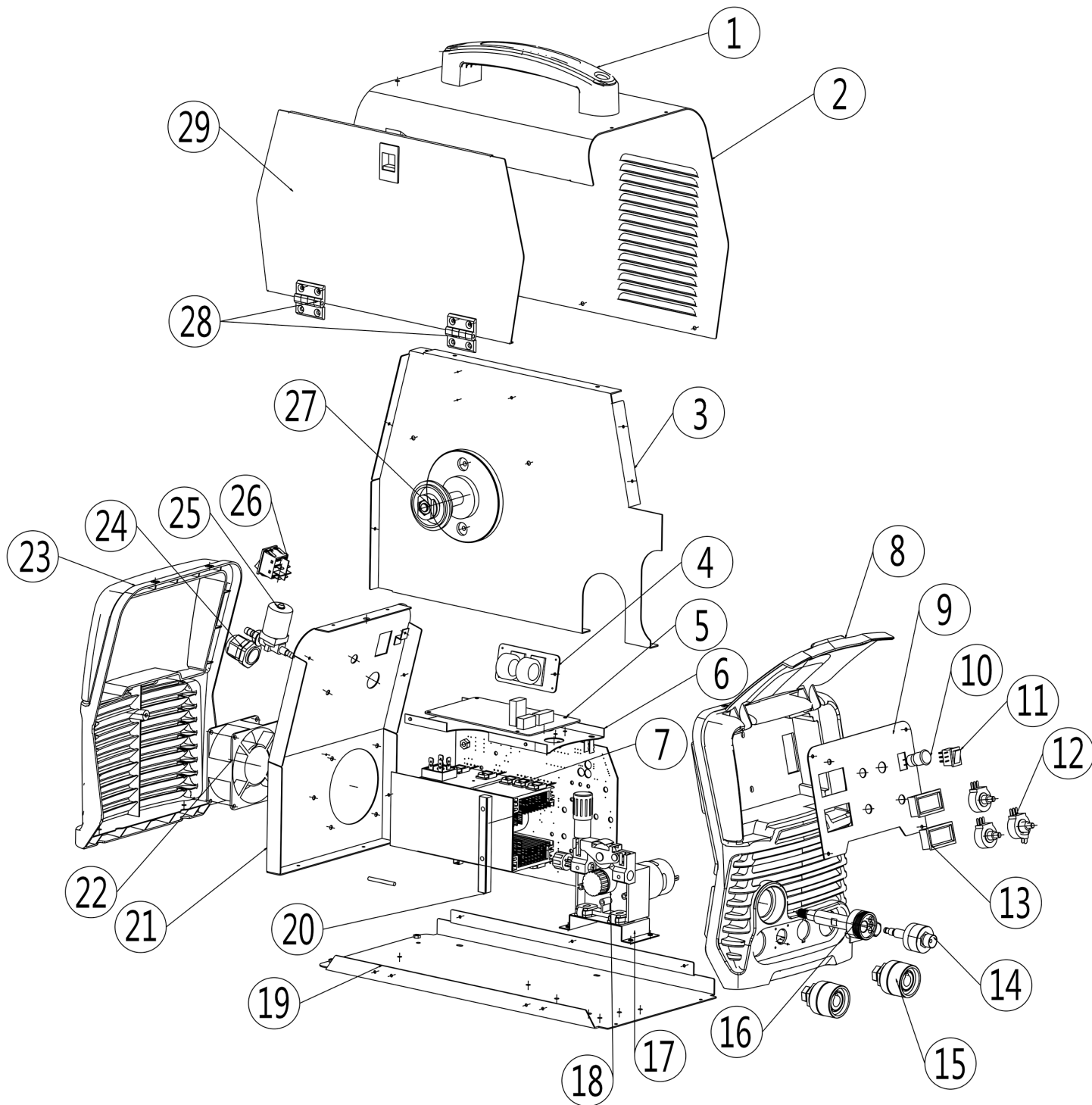
**DRAPER**<sup>®</sup>

GAS/GASLESS

# 200A MIG INVERTER MULTI WELDER

GB

70046 – MI200A SPARE PARTS DRAWING





GAS/GASLESS

# 200A MIG INVERTER MULTI WELDER



## 70046 – MI200A SPARE PARTS LISTING

KEY No.	PART No.	STOCK No.	DESCRIPTION
1			(NP) Handle
2			(NP) Side plate
3			(NP) Medial partition
4	YMI200A-4	94889	Filter board
5	YMI200A-5A	94890	PCB Assembly
6			
7			
8	YMI200A-8	94891	Front plastic cover
9			(NP) Front panel
10	YMI200A-10	94892	Inching switch
11	YMI200A-11	94894	MMA/MIG switch
12	YMI200A-12	94895	Knob
13			(NP) Display meter
14	YMI200A-14	94896	Gas electric integrated socket
15			(NP) Quick coupling
16	YMI200A-16	94897	Europe socket
17			(NP) Holder
18	YMI200A-18	94898	Wire feeder
19			(NP) Baseplate
20			(NP) Support bar
21			(NP) Back panel
22			(NP) Fan
23			(NP) Back plastic cover
24			(NP) Strain relief clamp
25	YMI200A-25	94899	Magnetic valve
26	YMI200A-26	94900	ON/OFF switch
27	YMI200A-27	94901	Wire spool
28	YMI200A-28	94902	Hinge
29			(NP) Clamshell plate

KEY No.	PART No.	STOCK No.	DESCRIPTION