

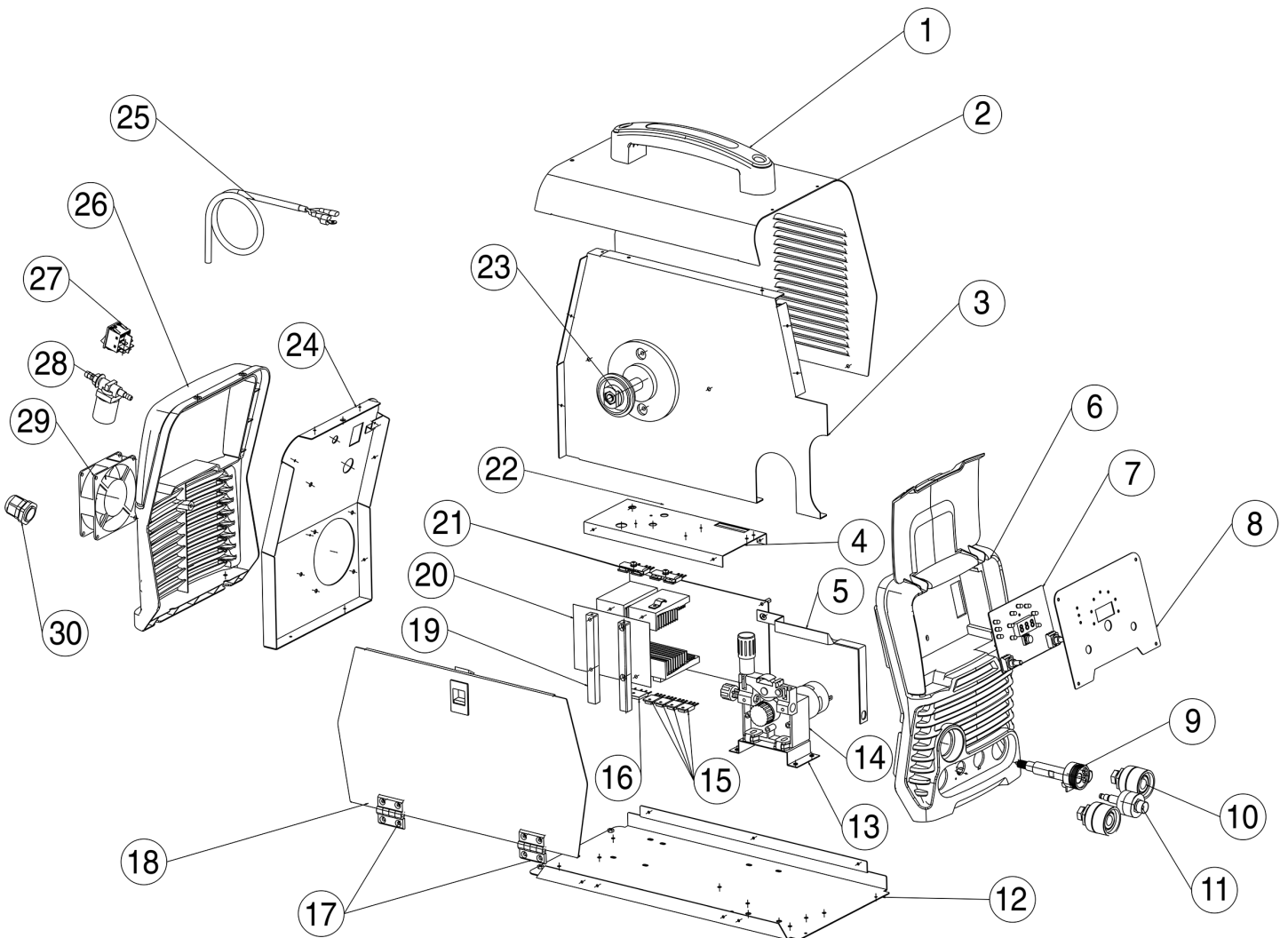
**DRAPER**<sup>®</sup>

GAS/GASLESS

# 160A MIG ALUMINIUM WELDER

GB

70048 – MWA160A SPARE PARTS DRAWING





GAS/GASLESS

# 160A MIG ALUMINIUM WELDER



70048 – MWA160A SPARE PARTS LISTING

KEY No.	PART No.	STOCK No.	DESCRIPTION	KEY No.	PART No.	STOCK No.	DESCRIPTION
1			(NP) Handle				
2			(NP) Side plate				
3			(NP) Medial partition				
4			(NP) Small partition				
5			(NP) Connecting bar				
6			(NP) Front plastic cover				
7	YMWA160A-7	95087	Control PCB board				
8			(NP) Front panel				
9			(NP) Europe socket				
10			(NP) Quick coupling				
11			(NP) Gas electric integrated socket				
12			(NP) Baseplate				
13			(NP) Holder				
14	YMWA160A-14	95124	Wire feeder				
15	YMWA160A-20A	95125	PCB Assembly				
16							
20							
21							
17	YMWA160A-17	95132	Hinge				
18			(NP) Clamshell plate				
19			(NP) Support bar				
22			(NP) Filter board				
23	YMWA160A-23	95144	Wire spool				
24			(NP) Back panel				
25			(NP) Power cable				
26			(NP) Back plastic cover				
27	YMWA160A-27	95145	On/off switch				
28	YMWA160A-28	95148	Magnetic valve				
29			(NP) Fan				
30			(NP) Strain relief clamp				