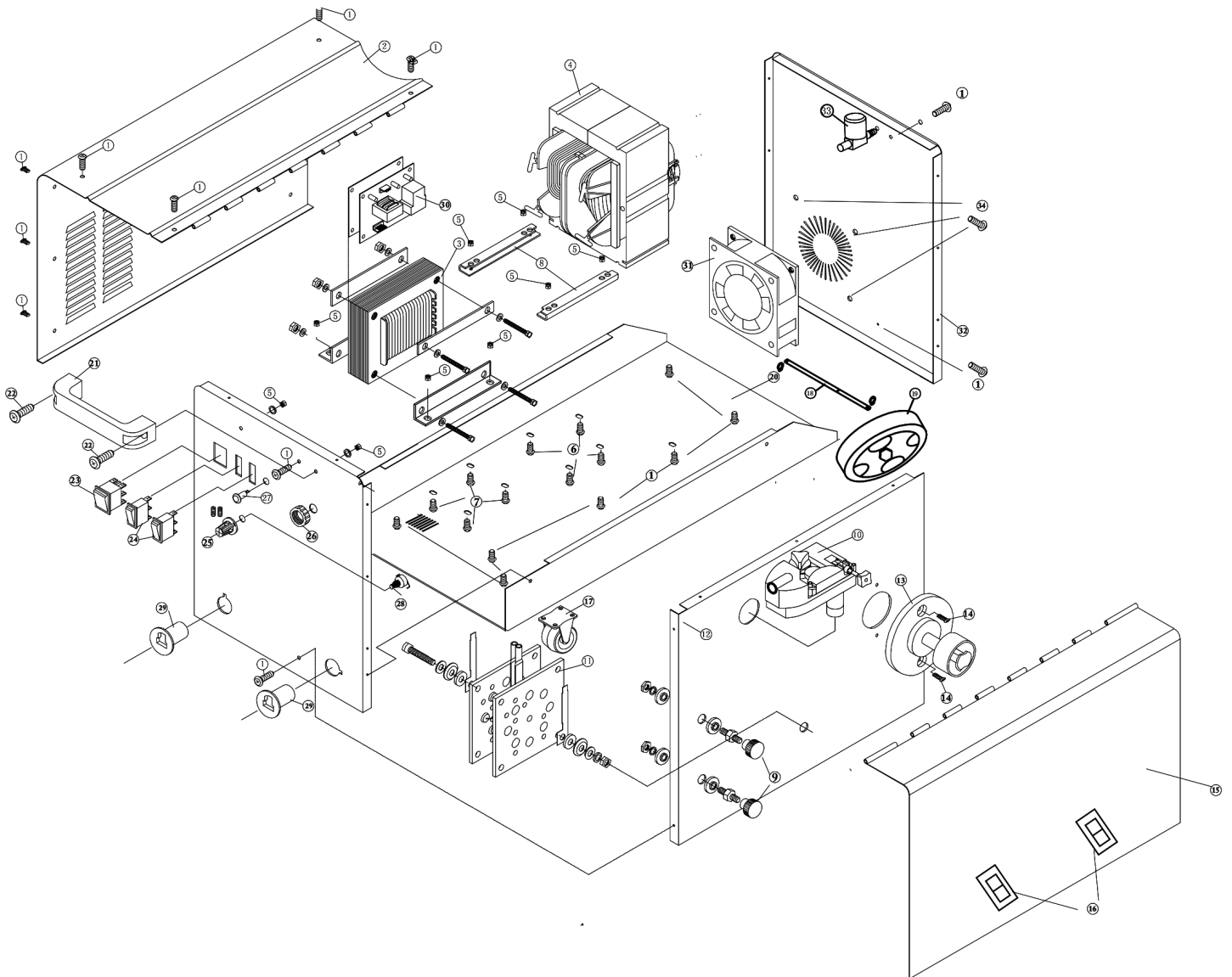


**DRAPER**<sup>®</sup>

GAS/GASLESS  
**160A MIG  
WELDER**

GB

71095 – MW170T SPARE PARTS DRAWING





# GAS/GASLESS 160A MIG WELDER



## 71095 – MW170T SPARE PARTS LISTING

| KEY No. | PART No.  | STOCK No. | DESCRIPTION        | KEY No. | PART No. | STOCK No. | DESCRIPTION |
|---------|-----------|-----------|--------------------|---------|----------|-----------|-------------|
| 1       | YMW170-1  | 77680     | Screw              |         |          |           |             |
| 2       | YMW170-2  | 77689     | Right panel        |         |          |           |             |
| 3       | YMW170-3  | 77694     | Reactor            |         |          |           |             |
| 4       | YMW170-4  | 77695     | Transformer        |         |          |           |             |
| 5       | YMW170-5  | 77710     | Nut                |         |          |           |             |
| 6       | YMW170-6  | 77734     | Screw              |         |          |           |             |
| 7       | YMW170-7  | 77738     | Screw              |         |          |           |             |
| 8       | YMW170-8  | 77739     | Bottom bracket     |         |          |           |             |
| 9       | YMW170-9  | 77742     | Knob               |         |          |           |             |
| 10      | YMW170-10 | 77743     | Wire feeder        |         |          |           |             |
| 11      | YMW170-11 | 77747     | Rectifier          |         |          |           |             |
| 12      | YMW170-12 | 77748     | Middle panel       |         |          |           |             |
| 13      | YMW170-13 | 77791     | Wire feeder loader |         |          |           |             |
| 14      | YMW170-14 | 77870     | Screw              |         |          |           |             |
| 15      | YMW170-15 | 77871     | Left panel         |         |          |           |             |
| 16      | YMW170-16 | 77879     | Lock               |         |          |           |             |
| 17      | YMW170-17 | 77880     | Guiding wheel      |         |          |           |             |
| 18      | YMW170-18 | 77881     | Bar                |         |          |           |             |
| 19      | YMW170-19 | 77882     | Wheel              |         |          |           |             |
| 20      | YMW170-20 | 77890     | Bottom cover       |         |          |           |             |
| 21      | YMW170-21 | 78067     | Handle             |         |          |           |             |
| 22      | YMW170-22 | 78164     | Screw              |         |          |           |             |
| 23      | YMW170-23 | 78204     | Power switch       |         |          |           |             |
| 24      | YMW170-24 | 78215     | Switch             |         |          |           |             |
| 25      | YMW170-25 | 78264     | Knob               |         |          |           |             |
| 26      | YMW170-26 | 78268     | Water joint        |         |          |           |             |
| 27      | YMW170-27 | 78271     | Hot light          |         |          |           |             |
| 28      | YMW170-28 | 78273     | Potentionmeter     |         |          |           |             |
| 29      | YMW170-29 | 78279     | Cable gland        |         |          |           |             |
| 30      | YMW170-30 | 78295     | PC board           |         |          |           |             |
| 31      | YMW170-31 | 78406     | Fan                |         |          |           |             |
| 32      | YMW170-32 | 78408     | Back panel         |         |          |           |             |
| 33      | YMW170-33 | 78409     | Gas valve          |         |          |           |             |
| 34      | YMW170-34 | 78412     | Screw              |         |          |           |             |
|         |           |           |                    |         |          |           |             |
|         |           |           |                    |         |          |           |             |
|         |           |           |                    |         |          |           |             |
|         |           |           |                    |         |          |           |             |