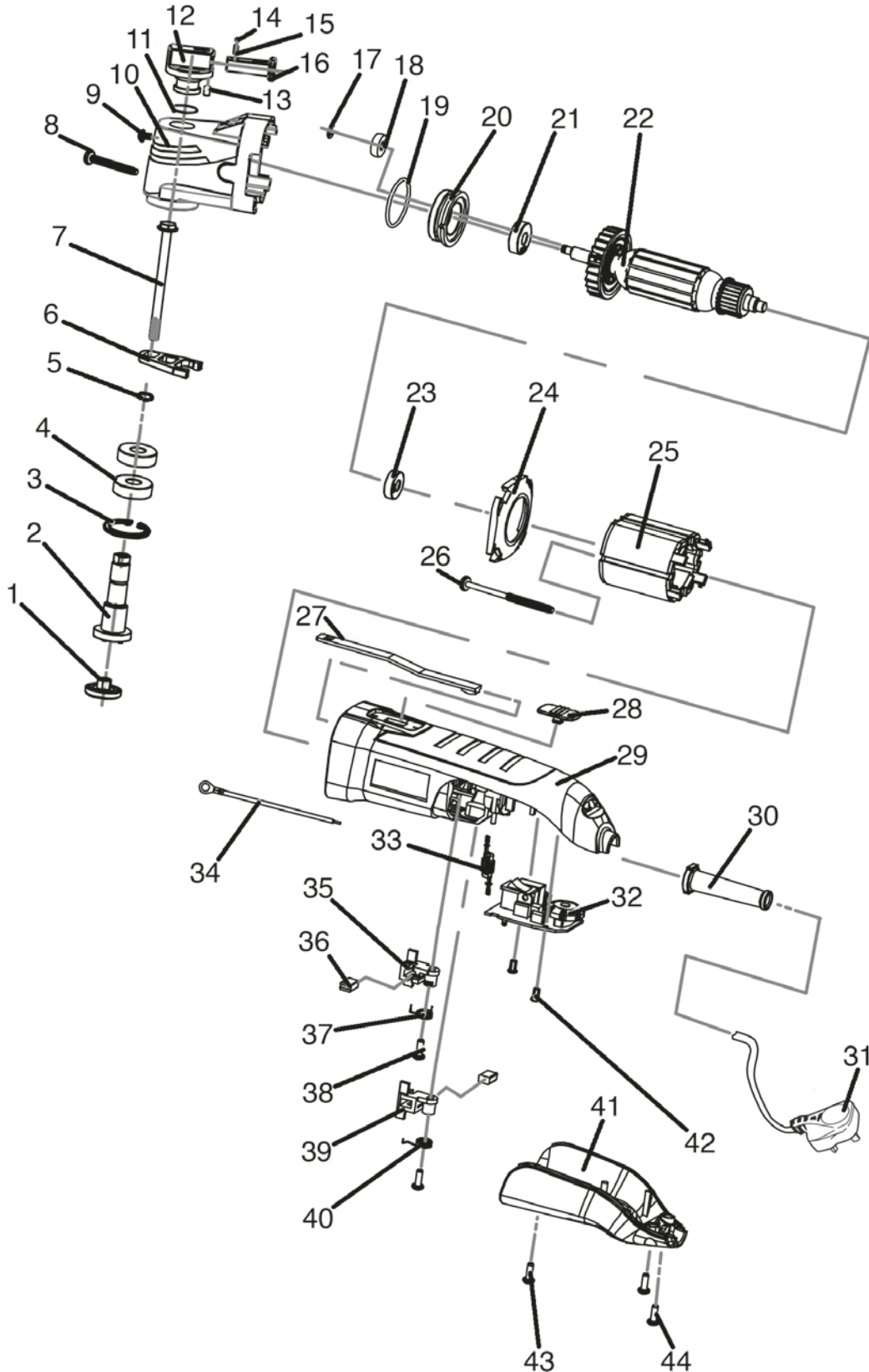


OSCILLATING MULTI-TOOL

78429 - MT400D SPARE PARTS DRAWING






230V QUICK CHANGE

OSCILLATING MULTI-TOOL

78429 - MT400D SPARE PARTS LISTING

KEY No.	PART No.	STOCK No.	DESCRIPTION
1	YMT400D-01	70922	Press plate
2	YMT400D-02	70925	Output spindle
3			(NP) Circlips for hole 28Ø
4			(NP) Rolling bearing
5			(NP) Circlips for shaft 12Ø
6			(NP) Shifting fork
7			(NP) Hexagon flange screw
8			(NP) Tapping screw
9			(NP) Tapping screw
10			(NP) Gear housing
11			(NP) O-ring 16Ø
12			(NP) Knob
13			(NP) Cylindrical pin 4Ø
14			(NP) Steel ball 3Ø
15			(NP) Spring
16			(NP) Button
17			(NP) Split washer
18			(NP) Rolling bearing
19			(NP) O-ring 32Ø
20			(NP) Bearing seat
21	YMT400D-21	70926	Rolling bearing
22	YMT400D-22	70927	Rotor
23	YMT400D-23	70937	Rolling bearing
24			(NP) Fan guide
25	YMT400D-25	70985	Stator
26			(NP) Tapping screw M4x65
27	YMT400D-27	70986	Pull rod
28	YMT400D-28	70987	Function push button

KEY No.	PART No.	STOCK No.	DESCRIPTION
29			(NP) Housing
30			(NP) Cable armor
31			(NP) Plug and cable
32	YMT400D-32	70988	Speed circuit board
33	YMT400D-33	70989	Inductor
34			(NP) Wire
35	YMT400D-35	70990	Left brush holder
36	YMT400D-36	70991	Carbon brush
37	YMT400D-37	70992	Right torsion spring
38	YMT400D-38	71156	Tapping screw ST4x20-F
39	YMT400D-39	71228	Right brush holder
40	YMT400D-40	71270	Left torsion spring
41			(NP) Rear cover
42			(NP) Tapping screw
43			(NP) Tapping screw
44			(NP) Tapping screw