



SEMI-AUTOMATIC TYRE CHANGER WITH ASSIST ARM



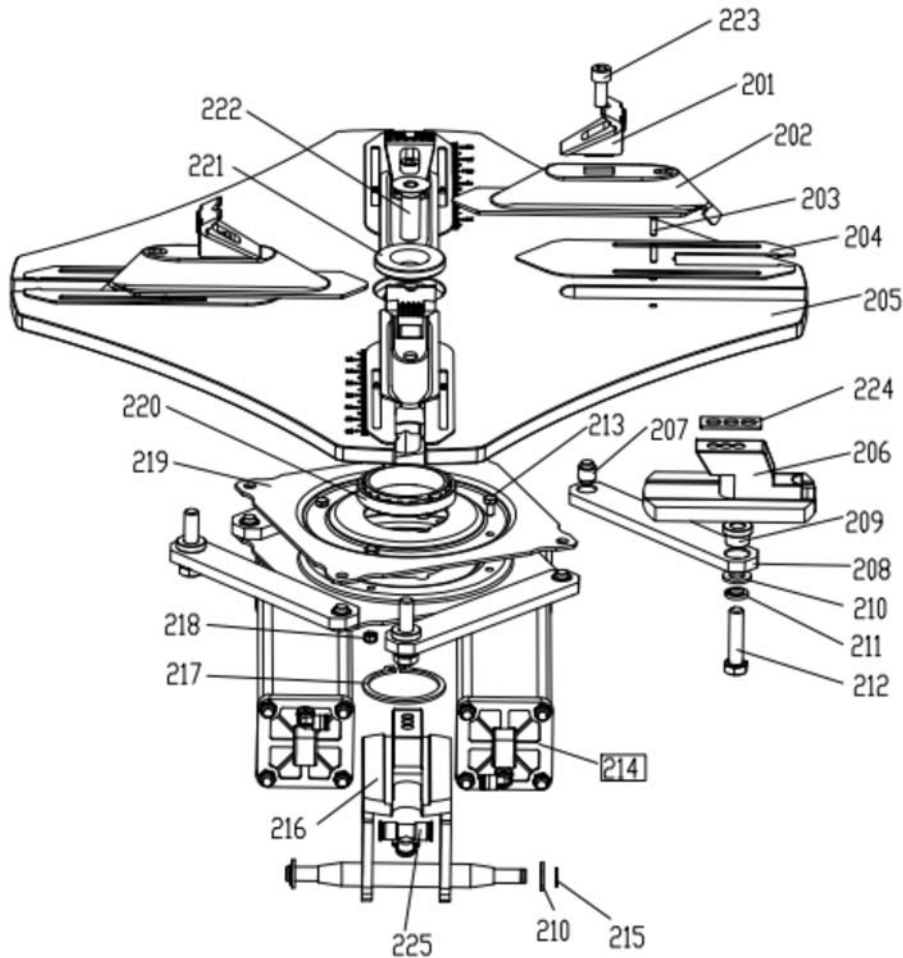
78612 - TC200 SPARE PARTS LISTING

KEY No.	PART No.	STOCK No.	DESCRIPTION
105	YTC200-105	87396	Vertical Column
113	YTC200-113	87400	Screw M10x30
114	YTC200-114	87403	Washer
115	YTC200-115	87411	Washer
116	YTC200-116	87413	Complete Mounting Head
117	YTC200-117	87417	Rubber Washer
120	YTC200-120	87459	Locking nut M10
121	YTC200-121	87461	Vertical Rod
122	YTC200-122	87467	Spring
123	YTC200-123	87539	Cap
124	YTC200-124	87677	Thin nut M10
125	YTC200-125	87678	Cap
126	YTC200-126	87685	Screw M8x45
131	YTC200-131	87686	Pothook
132	YTC200-132	87689	Nut M8
133	YTC200-133	87690	Screw M8x35
134	YTC200-134	87691	3 x Screw M6X25
135	YTC200-135	87692	2 x Complete cylinder
136	YTC200-136	87693	Grease Nipple M8
137	YTC200-137	87694	2 x Column pad
138	YTC200-138	87697	3 x Screw M8x12
139	YTC200-139	87699	4 x Nut M10
140	YTC200-140	87700	2 x Screw M10x35
141	YTC200-141	87701	Locking nut M12
142	YTC200-142	87702	2 x Washer
143	YTC200-143	87703	Screw M12x55

KEY No.	PART No.	STOCK No.	DESCRIPTION
144	YTC200-144	87704	Complete arm cylinder
145	YTC200-145	87705	Washer
146	YTC200-146	87706	Screw M6x12
147	YTC200-147	87707	Protection cover
148	YTC200-148	87708	5 x Screw M6x20
149	YTC200-149	87709	Stop block
150	YTC200-150	87710	2 x Tension spring
151	YTC200-151	87712	2 x Nut M6
152	YTC200-152	87713	Complete handle
153	YTC200-153	87714	4 x Screw M6x20
154	YTC200-154	87715	Rocker Arm
155	YTC200-155	87716	Locking board
156	YTC200-156	87717	2 x Locking screw M12x35
157	YTC200-157	87718	2 x Thin nut M12
158	YTC200-158	87719	T-union
159	YTC200-159	87720	Air hose jacket
160	YTC200-160	87721	Pin
161	YTC200-161	87722	Wheel base
162	YTC200-162	87723	2 x Needle bearing
163	YTC200-163	87724	2 x Screw M8x25
164	YTC200-164	87725	2 x Screw M8x20
165	YTC200-165	87726	Locking board
166	YTC200-166	87727	2 x Spring
167	YTC200-167	87728	2 x Screw
168	YTC200-168	87730	2 x Screw M10x45
169	YTC200-169	87731	Cylinder cover

SEMI-AUTOMATIC TYRE CHANGER WITH ASSIST ARM

78612 - TC200 SPARE PARTS LISTING



KEY No.	PART No.	STOCK No.	DESCRIPTION
201	YTC200-201	87732	4 x Jaw
202	YTC200-202	87733	4 x Slide
203	YTC200-203	87734	8 x Elastic pin
204	YTC200-204	87735	4 x Wear Plate
205	YTC200-205	87736	Turn Table
206	YTC200-206	87738	2 x Claw Seat Plate
207	YTC200-207	87739	4 x Pin
208	YTC200-208	87740	4 x Connecting Rod
209	YTC200-209	87741	4 x Rod Knot
210	YTC200-210	87742	8 x Washer
211	YTC200-211	87743	4 x Washer
212	YTC200-212	87744	4 x Screw M12x85

KEY No.	PART No.	STOCK No.	DESCRIPTION
213	YTC200-213	87745	4 x Screw M6x12
215	YTC200-215	87747	4 x Retainer Ring
216	YTC200-216	87748	2 x Claw Assembly
217	YTC200-217	87749	Retainer Ring
218	YTC200-218	87750	4 x Thin Nut M6
219	YTC200-219	87751	2 x Control Plate
220	YTC200-220	87756	Sleeve
221	YTC200-221	87757	Cap
222	YTC200-222	87758	Screw M16x30
223	YTC200-223	87759	4 x Screw M10x25
224	YTC200-224	87760	4 x Washer
225	YTC200-225	87762	2 x T-junction



SEMI-AUTOMATIC TYRE CHANGER WITH ASSIST ARM



78612 - TC200 SPARE PARTS LISTING

KEY No.	PART No.	STOCK No.	DESCRIPTION
301	YTC200-301	87783	Chassis
302	YTC200-302	87784	Filter And Pressure Reducer
303	YTC200-303	87785	Screw M16x110
304	YTC200-304	87786	3 x Washer
305	YTC200-305	87787	Pull Pin
306	YTC200-306	87788	3 x Locking Nut M16
307	YTC200-307	87789	Tension Spring
308	YTC200-308	87790	5 x Washer
309	YTC200-309	87791	Screw M10x25
311	YTC200-311	87792	Breaker Arm
312	YTC200-312	87794	Bead Breaking Plate
313	YTC200-313	87796	Pad
314	YTC200-314	87799	Box Support
315	YTC200-315	87803	5 x Screw M10x25
316	YTC200-316	87805	5 x Washer
317	YTC200-317	87807	Rubber Buffer
318	YTC200-318	87866	5 x Rubber Foot
319	YTC200-319	87885	4 x Screw M6x16
320	YTC200-320	87887	Side Cover
321	YTC200-321	87888	Box Lid
322	YTC200-322	87890	Box
323	YTC200-323	87891	Water Joint
324	YTC200-324	87892	2 x Screw M3
325	YTC200-325	87898	2 x Screw M3x8
326	YTC200-326	87899	Connector 600V

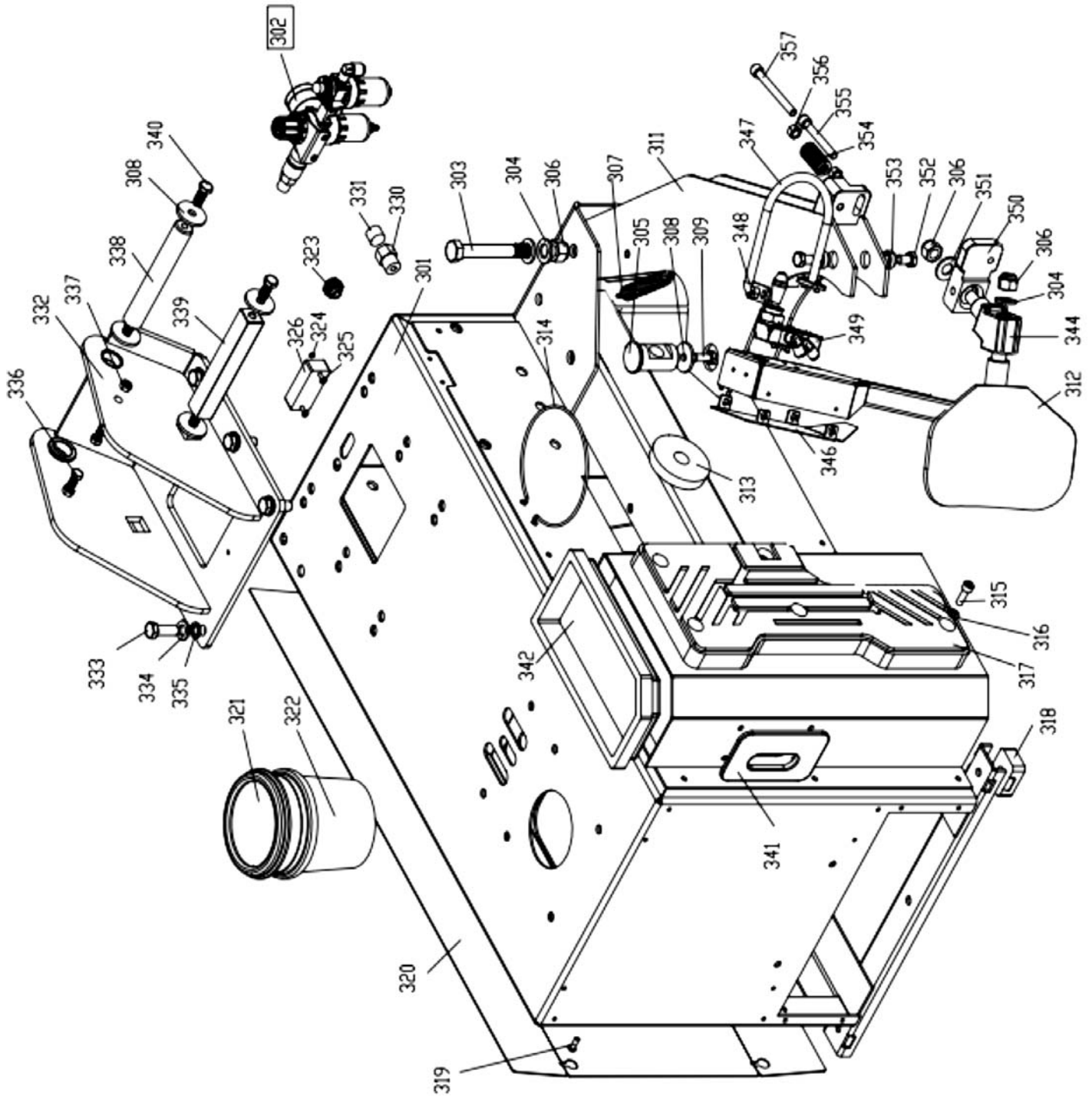
KEY No.	PART No.	STOCK No.	DESCRIPTION
330	YTC200-330	87900	Straight valve
331	YTC200-331	87901	End cap
332	YTC200-332	87902	Column base
333	YTC200-333	87904	6 x Screw M12x35
334	YTC200-334	87906	6 x Washer
335	YTC200-335	87918	6 x Washer
336	YTC200-336	87924	2 x Screw M8x30
337	YTC200-337	87928	4 x Nut M8
338	YTC200-338	87946	Pin roll
339	YTC200-339	87947	Balance pole
340	YTC200-340	87960	4 x Screw M10x25
341	YTC200-341	87964	Upper cover
342	YTC200-342	87965	Cover
346	YTC200-346	87966	Scaffold board
347	YTC200-347	87971	Handle
348	YTC200-348	87982	8 x Screw M6x10
349	YTC200-349	87990	Hand Valve
350	YTC200-350	88065	Installation block
351	YTC200-351	88070	Washer
352	YTC200-352	88071	2 x Screw M12X18
353	YTC200-353	88079	2 x Sleeve Shaft
354	YTC200-354	88083	Spring
355	YTC200-355	88095	Screw M10X80
356	YTC200-356	88097	2 x Nut M10
357	YTC200-357	88128	Screw M10X90

DRAPER[®]

SEMI-AUTOMATIC TYRE CHANGER WITH ASSIST ARM



78612 - TC200 SPARE PARTS LISTING





SEMI-AUTOMATIC TYRE CHANGER WITH ASSIST ARM



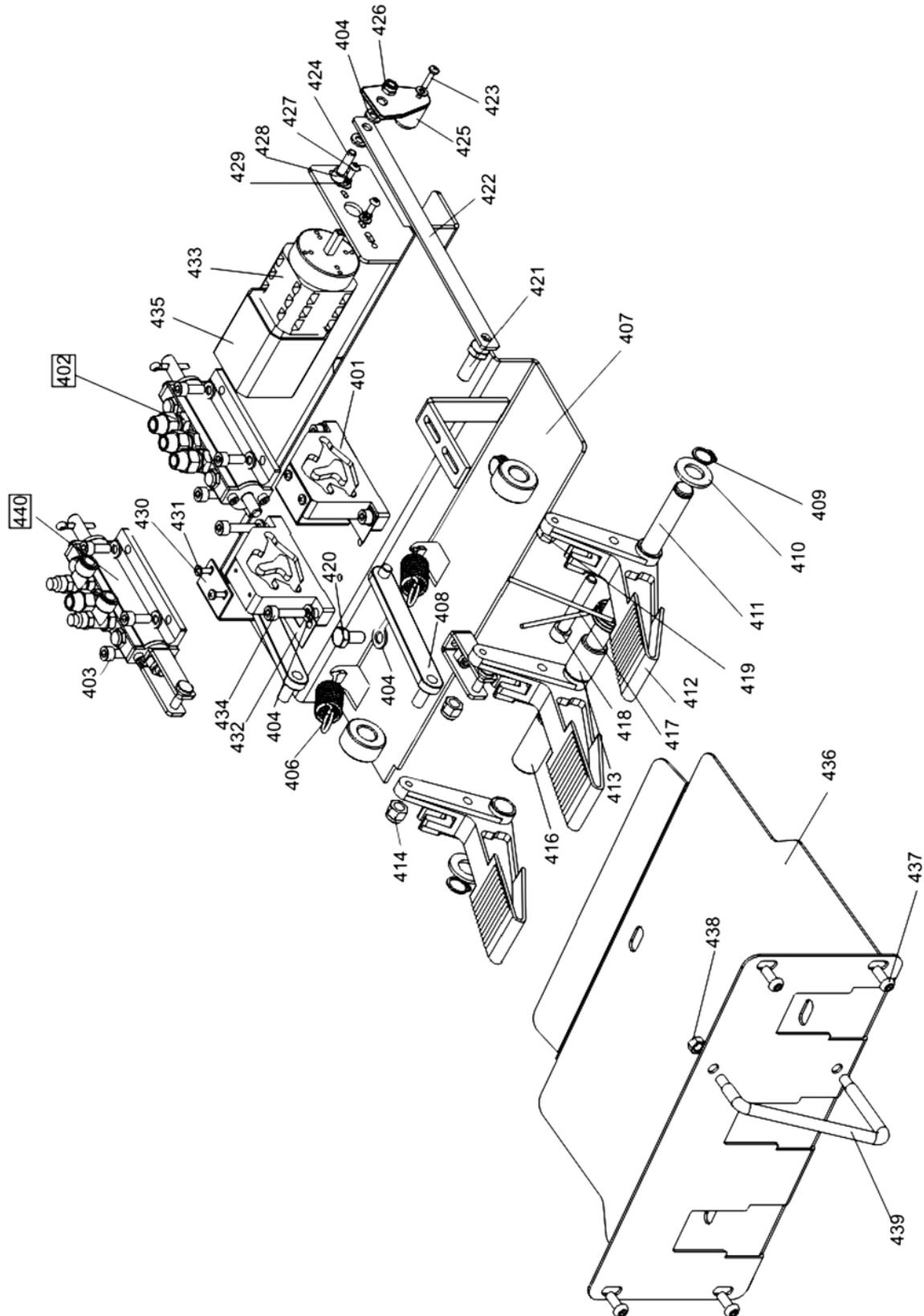
78612 - TC200 SPARE PARTS LISTING

KEY No.	PART No.	STOCK No.	DESCRIPTION
401	YTC200-401	88129	2 x Cam
402	YTC200-402	88130	2 x 5-way Valve
403	YTC200-403	88131	12 x Screw M6x16
404	YTC200-404	88134	16 x Washer
405	YTC200-405	88180	3 x Nut M6
406	YTC200-406	88195	2 x Tension Spring
407	YTC200-407	88207	Pedal Bracket
408	YTC200-408	88208	Cam Connecting Rod
409	YTC200-409	88209	2 x Retainer Ring
410	YTC200-410	88218	2 x Washer
411	YTC200-411	88220	Rod
412	YTC200-412	88224	3 x Pedal
413	YTC200-413	88232	Plastic Casing
414	YTC200-414	88233	2 x Locking Nut M8
415	YTC200-415	88235	Connecting Screw
416	YTC200-416	88243	Plastic Casing
417	YTC200-417	88280	Torsion Spring
418	YTC200-418	88281	Screw M8x50
419	YTC200-419	88282	Washer
420	YTC200-420	88284	2 x Screw M8x16

KEY No.	PART No.	STOCK No.	DESCRIPTION
421	YTC200-421	88286	Connecting Screw
422	YTC200-422	88287	Pitman
423	YTC200-423	88288	Screw M3.5x16
424	YTC200-424	88289	Screw M6x20
425	YTC200-425	88442	Picks
426	YTC200-426	88579	Locking Nut M6
427	YTC200-427	88589	2 x Screw M4x10
428	YTC200-428	88596	2 x Spring washer
429	YTC200-429	88597	2 x Washer
430	YTC200-430	88614	2 x Cam Cover
431	YTC200-431	88616	2 x Screw M3.5x10
432	YTC200-432	88617	2 x Flat Spring
433	YTC200-433	88632	Reverse Switch
434	YTC200-434	88645	5 x Screw M6x25
435	YTC200-435	88646	Switch jacket
436	YTC200-436	88788	Pedal cover
437	YTC200-437	88898	4 x Screw M6x16
438	YTC200-438	88905	2 x Lock nut M6
439	YTC200-439	88906	Pedal handle
440	YTC200-440	88910	5-way Valve

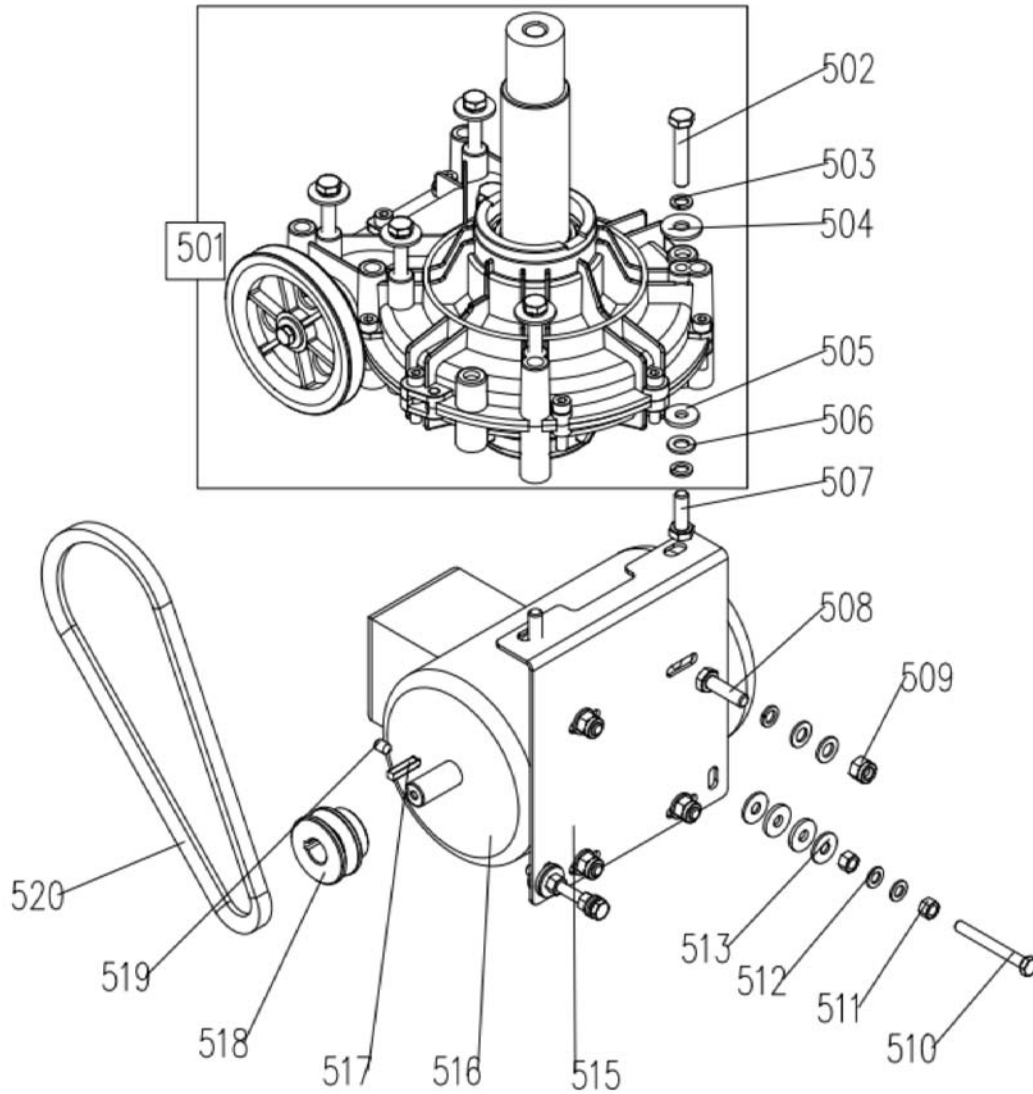
SEMI-AUTOMATIC TYRE CHANGER WITH ASSIST ARM

78612 - TC200 SPARE PARTS LISTING



SEMI-AUTOMATIC TYRE CHANGER WITH ASSIST ARM

78612 - TC200 SPARE PARTS LISTING



KEY No.	PART No.	STOCK No.	DESCRIPTION
501	YTC200-501	88980	Complete Gear Box
502	YTC200-502	88981	6 x Screw M10x55
503	YTC200-503	88991	12 x Spring washer
504	YTC200-504	88993	6 x Washer
505	YTC200-505	88999	6 x Rubber Washer
506	YTC200-506	89000	10 x Washer
507	YTC200-507	89002	2 x Screw M10x30
508	YTC200-508	89003	4 x Screw M10x35
509	YTC200-509	89004	4 x Locking nut M10
510	YTC200-510	89005	2 x Screw M8x75

KEY No.	PART No.	STOCK No.	DESCRIPTION
511	YTC200-511	89006	4 x Nut M8
512	YTC200-512	89007	4 x Washer
513	YTC200-513	89008	4 x Washer
514	YTC200-514	89023	2 x Locking nut M8
515	YTC200-515	89031	Motor Support
516	YTC200-516	89037	Motor 0.75KW
517	YTC200-517	89039	Key 6x28
518	YTC200-518	89040	Motor Pulley
519	YTC200-519	89041	Screw M8x12
520	YTC200-520	89044	Belt



SEMI-AUTOMATIC TYRE CHANGER WITH ASSIST ARM



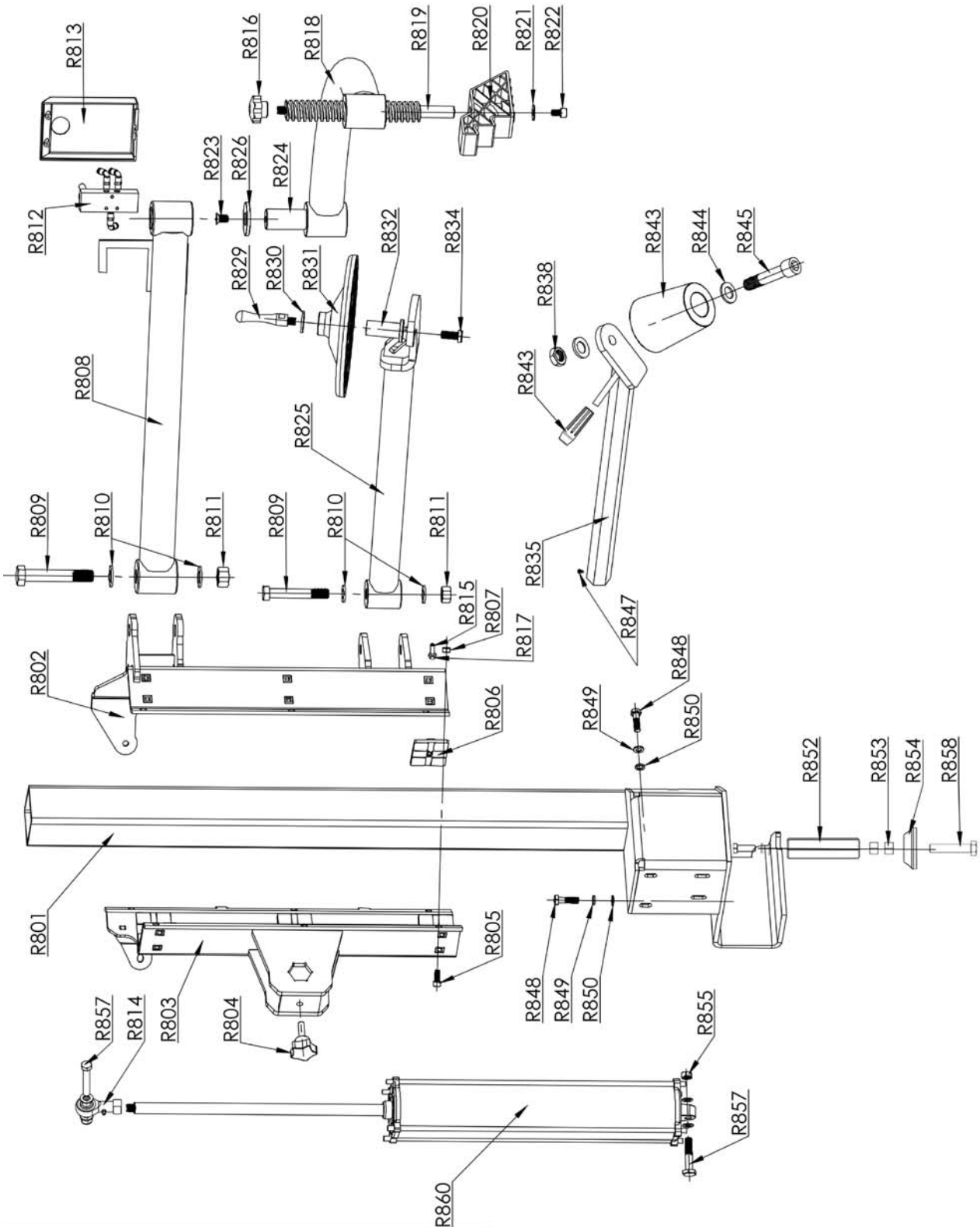
78612 - TC200 SPARE PARTS LISTING

KEY No.	PART No.	STOCK No.	DESCRIPTION
R801	YTC200-R801	89196	Column assembly
R802	YTC200-R802	89198	Left sliding assembly
R803	YTC200-R803	89203	Right sliding assembly
R804	YTC200-R804	89204	Handle M12*25
R805	YTC200-R805	89205	6 x Screw M8*30
R806	YTC200-R806	89212	10 x panel plate
R807	YTC200-R807	89214	6 x Lock nut M8
R808	YTC200-R808	89279	Straight arm assembly
R809	YTC200-R809	89280	Pin rod M20*120
R810	YTC200-R810	89281	4 x Washer
R811	YTC200-R811	89282	2 x Lock nut M20
R812	YTC200-R812	89283	Hand valve assembly
R813	YTC200-R813	89284	Box cap
R814	YTC200-R814	89285	Connector M16
R815	YTC200-R815	89286	6 x Screw M8*25
R816	YTC200-R816	89288	Handle M12
R817	YTC200-R817	89290	6 x Nut M8
R818	YTC200-R818	89303	Bent arm assembly
R819	YTC200-R819	89319	Adjustable screw rod
R820	YTC200-R820	89320	Block
R821	YTC200-R821	89321	Washer
R822	YTC200-R822	89336	Screw M10*25
R823	YTC200-R823	89340	2 x Screw M12*30
R824	YTC200-R824	89347	Pin

KEY No.	PART No.	STOCK No.	DESCRIPTION
R825	YTC200-R825	89349	Holder assembly
R826	YTC200-R826	89351	2 x Washer
R829	YTC200-R829	89352	Handle
R830	YTC200-R830	89353	Washer
R831	YTC200-R831	89360	Tray
R832	YTC200-R832	89361	Pin rod
R834	YTC200-R834	89362	Screw M10*30
R835	YTC200-R835	89370	Lever assembly
R838	YTC200-R838	89371	Thin nut M20
R839	YTC200-R839	89372	Screw M8*30
R843	YTC200-R843	89374	Tyre Roller
R844	YTC200-R844	89377	2 x Washer
R845	YTC200-R845	89378	Screw M20*95
R847	YTC200-R847	89379	Screw M8*10
R848	YTC200-R848	89397	6 x Screw M12*35
R849	YTC200-R849	89398	8 x Spring washer
R850	YTC200-R850	89399	10 x Washer
R852	YTC200-R852	89400	Support rod
R853	YTC200-R853	89403	2 x Screw M12
R854	YTC200-R854	89404	Support foot
R855	YTC200-R855	89405	2 x Lock nut M12
R857	YTC200-R857	89415	2 x Screw M12*70
R858	YTC200-R858	89416	Screw M16*80
R860	YTC200-R860	89420	Complete Cylinder

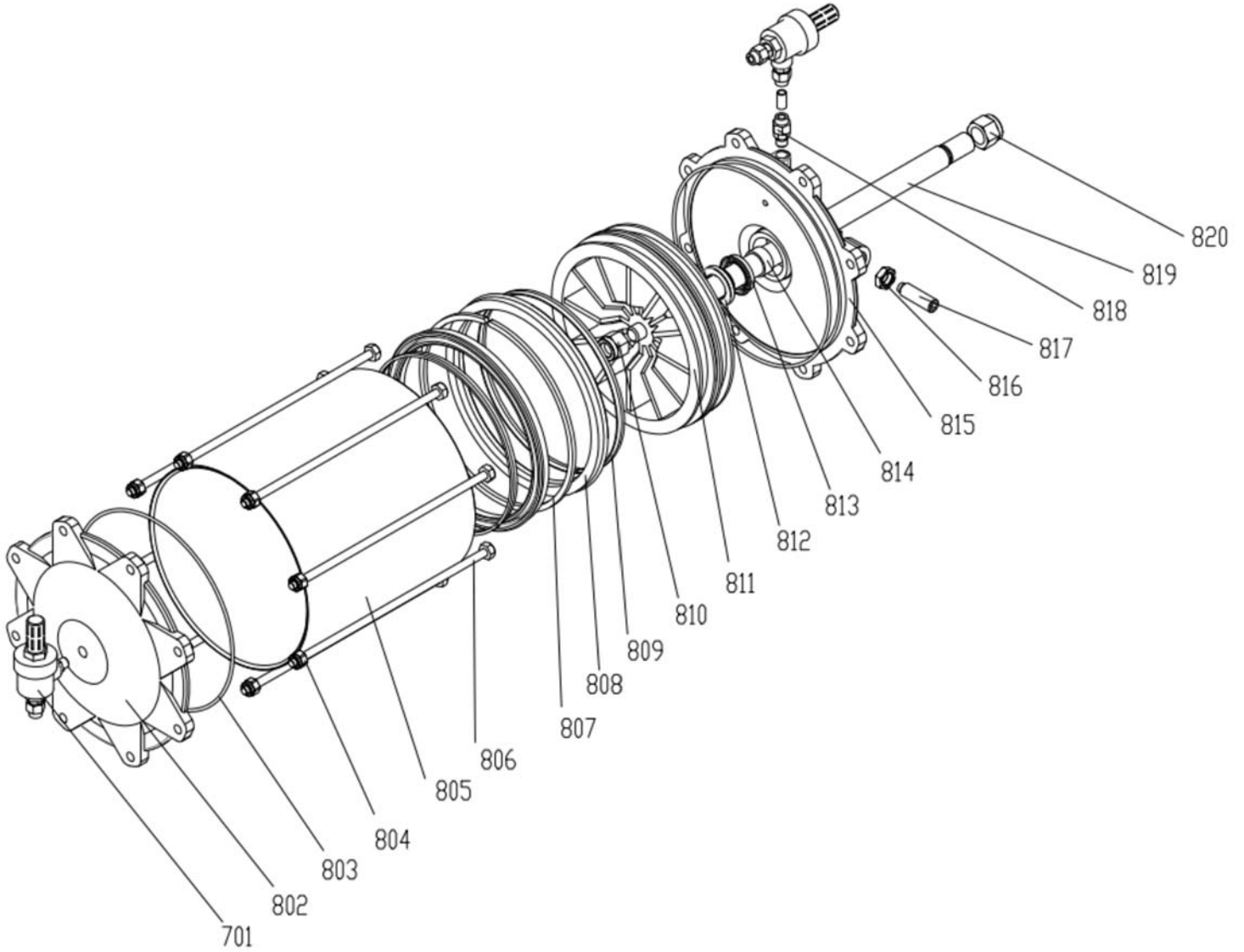
SEMI-AUTOMATIC TYRE CHANGER WITH ASSIST ARM

78612 - TC200 SPARE PARTS LISTING



SEMI-AUTOMATIC TYRE CHANGER WITH ASSIST ARM

78612 - TC200 SPARE PARTS LISTING



KEY No.	PART No.	STOCK No.	DESCRIPTION
701	YTC200-701	89045	2 x Exhaust Valve
802	YTC200-802	89046	Back cover
803	YTC200-803	89051	2 x O-Seal
804	YTC200-804	89052	8 x Locking nut M8
805	YTC200-805	89053	Cylinder Block
806	YTC200-806	89054	8 x Pull rod
807	YTC200-807	89056	Seal Belt
808	YTC200-808	89065	2 x Y-seal
809	YTC200-809	89084	2 x Ring
810	YTC200-810	89086	Lock nut M14

KEY No.	PART No.	STOCK No.	DESCRIPTION
811	YTC200-811	89105	Piston
812	YTC200-812	89106	Washer
813	YTC200-813	89112	Seal
814	YTC200-814	89113	Bronze belt
815	YTC200-815	89115	Front cover
816	YTC200-816	89117	2 x Nut M14
817	YTC200-817	89128	2 x Locking nut M14
818	YTC200-818	89186	Straight joint
819	YTC200-819	89194	Piston Rod
820	YTC200-820	89195	Locking nut M18