



SPARE PARTS LISTING SHEET FOR

# 2200W 300L Dust Extractor

Stock No.80947

Part No.DE2200

KEY No.	PART No.	STOCK No.	DESCRIPTION
1	YDE2200-01	81647	Caster
2	YDE1500-06	81607	Nut
3	YDE2200-03	81648	Screw
4	YDE2200-04	81649	Base Plate
5	YDE1500-23	81624	Screw
6	YDE1500-25	81628	Inlet
7	YDE1500-26	81629	Screw
8	YDE1500-28	81631	Gasket
9	YDE1500-27	81630	Washer
10	YDE2200-10	81651	Turbo Fan
11	YDE2200-11	81652	Collector
12	YDE1500-04	81605	Washer
13	YDE1500-13	81606	Motor Base
14	YDE1500-20	81621	Washer
15	YDE1500-10	81611	Bolt
16	YDE1500-21	81622	Bolt
17	YDE2200-17	81653	Motor
18	YDE1500-02	81603	Nut
19	YDE2200-19	81654	Connector
20	YDE1500-15	81616	Nut

KEY No.	PART No.	STOCK No.	DESCRIPTION
21	YDE2200-21	81655	Left-collector
22	YDE1500-36	81639	Collector Bag
23	YDE1500-14	81615	Collector Support
24	YDE2200-24	81656	Right-collector
25	YDE1500-18	81619	Packing
26	YDE1500-13	81614	Upper Bag Support
27	YDE1500-35	81638	Upper Filter Bag
28	YDE1500-29	81632	Gasket
29	YDE2200-29	81657	Inlet
30	YDE1500-17	81618	Key
31	YDE1500-09	81610	Switch
32	YDE1500-16	81617	Washer
33	YDE1500-11	81612	Hex Wrench
34	YDE2200-34	81659	Cable
35	YDE1500-19	81620	Inlet Cover
36	YDE1500-34	81637	Bag Clamp
37	YDE2200-37	81660	Switch Box
38	YDE2200-38	81661	Head Screw
39	YDE1500-12	81613	Hex Screw

**Helpline: (023) 8049 4344. Sales Desk: (023) 8049 4333. General Enquiries: (023) 8026 6355.**

DRAPER TOOLS LTD, HURSLEY ROAD, CHANDLER'S FORD, EASTLEIGH, HANTS. SO53 1YF. U.K website: [www.drapertools.com](http://www.drapertools.com) e-mail: [sales@drapertools.com](mailto:sales@drapertools.com)

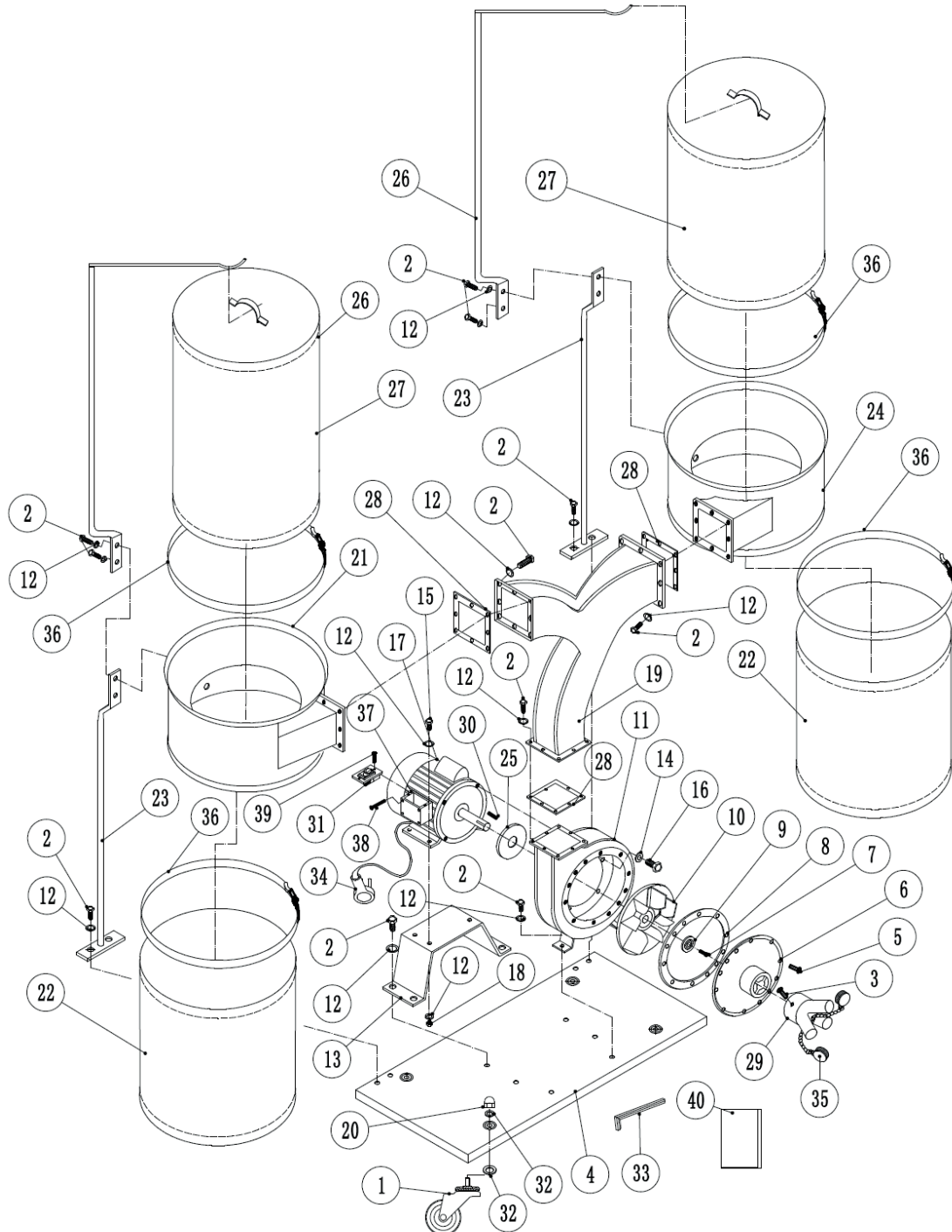


SPARE PARTS DRAWING SHEET FOR

# 2200W 300L Dust Extractor

Stock No.80947

Part No.DE2200



**Helpline: (023) 8049 4344. Sales Desk: (023) 8049 4333. General Enquiries: (023) 8026 6355.**

DRAPER TOOLS LTD, HURSLEY ROAD, CHANDLER'S FORD, EASTLEIGH, HANTS. SO53 1YF. U.K website: [www.drapertools.com](http://www.drapertools.com) e-mail: [sales@drapertools.com](mailto:sales@drapertools.com)

DKKC150515