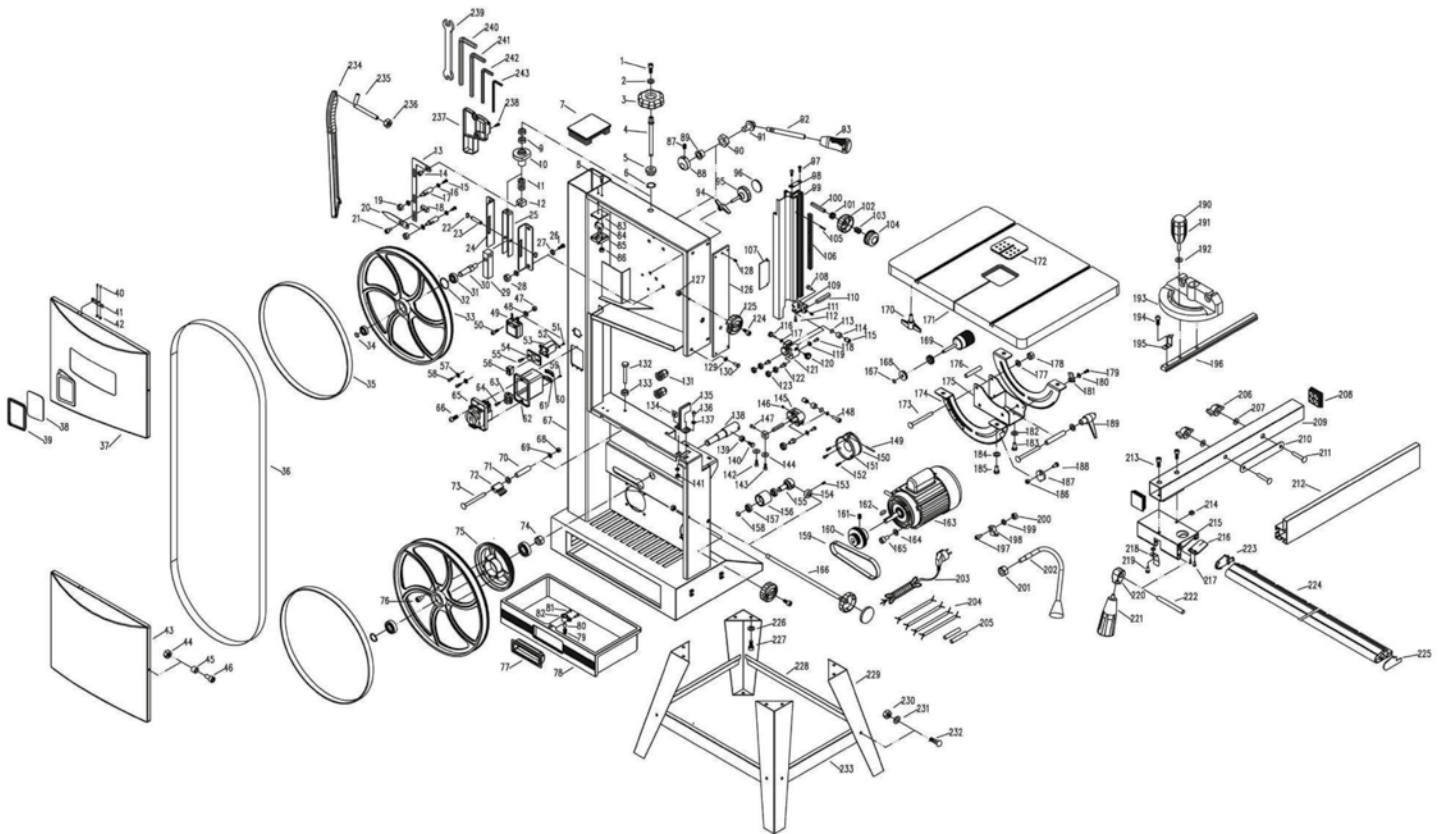


230V 305mm

BANDSAW

84714 – BS305 SPARE PARTS DRAWING





230V 305mm

BANDSAW

84714 – BS305 SPARE PARTS LISTING

| KEY No. | PART No. | STOCK No. | DESCRIPTION |
|----------------------|-------------|-----------|------------------------------|
| 1 – 6 | YBS305-03A | 98605 | Blade tension knob assembly |
| 7 | YBS305-07 | 87754 | Frame cap |
| 8 – 12 | YBS305-10A | 98606 | Fittings assembly #1 |
| 13 – 21 | YBS305-13A | 98607 | Fittings assembly #2 |
| 22 – 30 | YBS305-25A | 98608 | Pulling plate assembly |
| 31 – 35 | YBS305-33A | 98609 | Upper / lower wheel assembly |
| 36 | | | Blade |
| 37 – 42 | YBS305-37A | 98610 | Upper cover assembly |
| 43 – 46 | YBS305-43A | 98611 | Lower cover assembly |
| 47 – 66 | YBS305-53A | 98612 | Switch box assembly |
| 67 | | | (NP) Frame |
| 68 – 73 | YBS305-72A | 98613 | Brush assembly |
| 74 – 76 | YBS305-75A | 98614 | Spindle pulley assembly |
| 77 – 82 | YBS305-78A | 98615 | Drawer |
| 83 – 86 | YBS305-85A | 98616 | Switch assembly |
| 87 – 93 | YBS305-92A | 98617 | Release handle assembly |
| 94 – 96 | YBS305-94A | 98618 | Tracking assembly |
| 97 – 101 & 105 – 107 | YBS305-98A | 98619 | Protecting cover assembly |
| 102 – 104 | YBS305-102A | 98620 | Adjusting knob assembly |
| 108 – 123 | YBS305-121A | 98621 | Upper guide block assembly |
| 124 | | | (NP) Socket head screw |
| 125 | | | (NP) Cover lock knob |
| 126 | | | (NP) Guide plate |
| 127 | | | (NP) Lock nut |
| 128 | | | (NP) Set screw |
| 129 | | | (NP) Flat washer |
| 130 | | | (NP) Hex head bolt |
| 131 | | | (NP) Cord bushing |
| 132 | | | (NP) Limiting shaft |
| 133 | | | (NP) Hex nut |
| 134 | | | (NP) Guide block |
| 135 | | | (NP) Lower guard |
| 136 | | | (NP) Hex head bolt |
| 137 | | | (NP) Flat washer |
| 138 | | | (NP) Shaft |
| 139 | | | (NP) Hex nut |
| 140 | | | (NP) Hex head bolt |
| 141 | | | (NP) Hex nut |
| 142 – 148 | YBS305-145A | 98623 | Lower guide block assembly |
| 149 – 152 | YBS305-151A | 98624 | Dust port assembly |

| KEY No. | PART No. | STOCK No. | DESCRIPTION |
|-----------|-------------|-----------|-------------------------------|
| 153 – 158 | YBS305-156A | 98626 | Idle pulley assembly |
| 159 | YBS305-159 | 14228 | Belt |
| 160 – 165 | YBS305-163A | 98627 | Motor assembly |
| 166 | YBS305-166 | 14235 | Belt tension knob |
| 167 – 170 | YBS305-169A | 98628 | Table adjusting knob assembly |
| 171 & 172 | YBS305-171A | 98629 | Table assembly |
| 173 – 189 | YBS305-174A | 98630 | Table adjust assembly |
| 190 – 196 | YBS305-193A | 98632 | Angle guide assembly |
| 197 | | | (NP) Socket head screw |
| 198 | | | (NP) Cord clamp |
| 199 | | | (NP) Flat washer |
| 200 | | | (NP) Nut |
| 201 | | | (NP) Hex nut |
| 202 | | | (NP) LED driver |
| 203 | YBS305-203 | 98602 | Power cord |
| 204 | | | (NP) Inner cord |
| 205 | | | (NP) Flexible tube |
| 206 – 225 | YBS305-212A | 98634 | Fence assembly |
| 226 – 233 | ABS10 | 84718 | Stand |
| 234 | YBS305-234 | 14563 | Push stick |
| 235 | | | (NP) Hook |
| 236 | | | (NP) Hex nut |
| 237 – 243 | YBS305-237A | 98635 | Tool kit assembly |