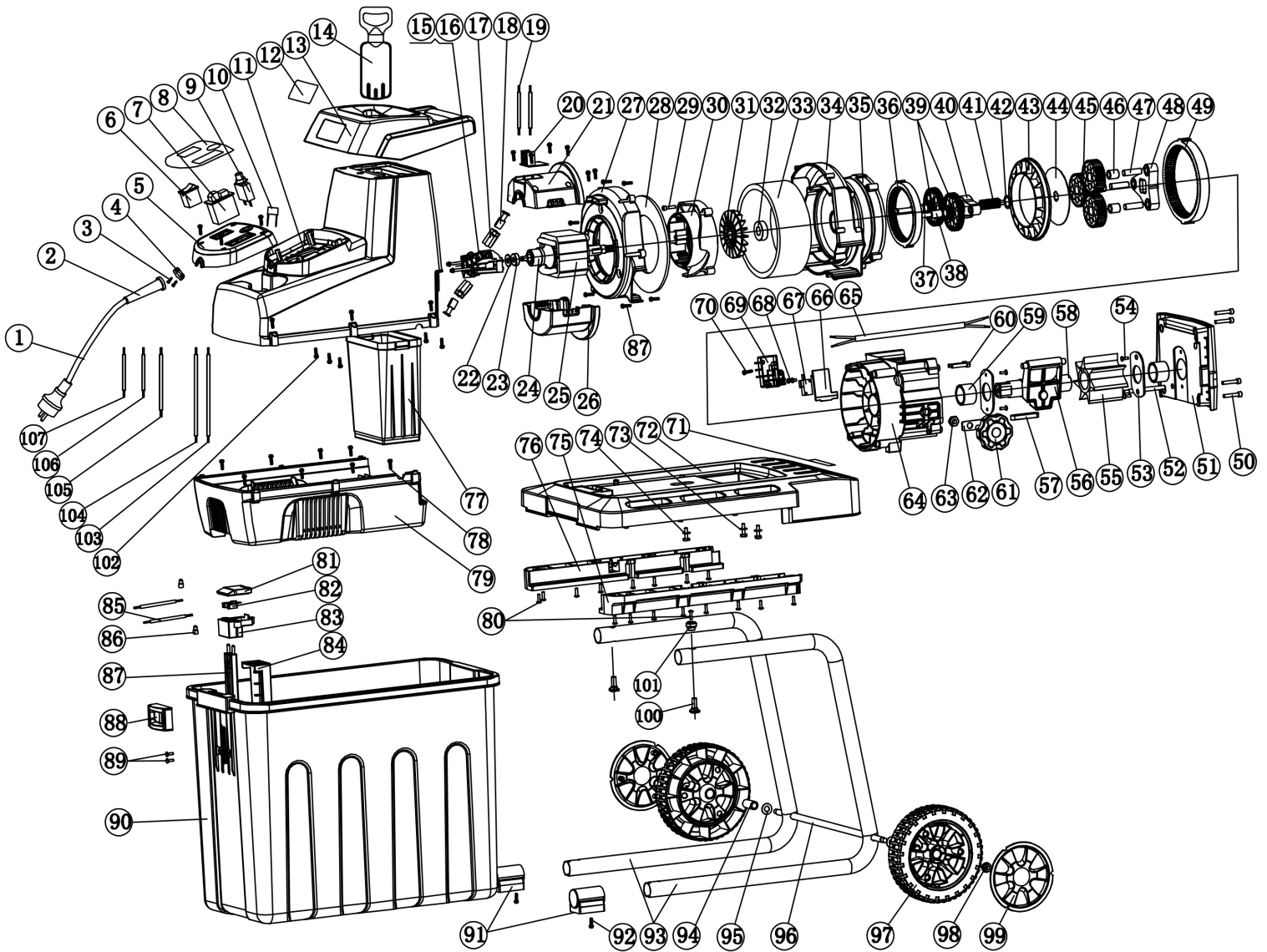




230V QUIET

# GARDEN SHREDDER

97974 – GSS2800D SPARE PARTS LISTING





# 230V QUIET GARDEN SHREDDER

## 97974 – GSS2800D SPARE PARTS LISTING

| KEY No. | PART No.      | STOCK No. | DESCRIPTION           |
|---------|---------------|-----------|-----------------------|
| 1       | YGSS2800D-05A | 92404     | Switch panel assembly |
| 2       |               |           |                       |
| 3       |               |           |                       |
| 4       |               |           |                       |
| 5       |               |           |                       |
| 6       |               |           |                       |
| 7       |               |           |                       |
| 8       |               |           |                       |
| 9       |               |           |                       |
| 10      |               |           |                       |
| 11      |               |           | (NP) Upper cover      |
| 12      |               |           | (NP) Main label       |
| 13      |               |           | (NP) Feeder hopper    |
| 14      | YGSS2800D-14  | 92420     | Push stick            |
| 15      | YGSS2800D-30A | 92424     | Motor assembly        |
| 16      |               |           |                       |
| 17      |               |           |                       |
| 18      |               |           |                       |
| 19      |               |           |                       |
| 20      |               |           |                       |
| 21      |               |           |                       |
| 22      |               |           |                       |
| 23      |               |           |                       |
| 24      |               |           |                       |
| 25      |               |           |                       |
| 26      |               |           |                       |
| 27      |               |           |                       |
| 28      |               |           |                       |
| 29      |               |           |                       |
| 30      |               |           |                       |
| 31      |               |           |                       |
| 32      |               |           |                       |
| 33      |               |           |                       |
| 34      |               |           |                       |
| 35      |               |           |                       |
| 36      |               |           |                       |
| 37      |               |           |                       |
| 38      |               |           |                       |
| 39      |               |           |                       |
| 40      |               |           |                       |

| KEY No. | PART No.      | STOCK No. | DESCRIPTION                     |
|---------|---------------|-----------|---------------------------------|
| 41      | YGSS2800D-30A | 92424     | Motor assembly                  |
| 42      |               |           |                                 |
| 43      |               |           |                                 |
| 44      |               |           |                                 |
| 45      |               |           |                                 |
| 46      |               |           |                                 |
| 47      |               |           |                                 |
| 48      |               |           |                                 |
| 49      |               |           |                                 |
| 16      | YGSS2800D-18A | 94962     | Carbon brush assembly (pairs)   |
| 17      |               |           |                                 |
| 18      |               |           |                                 |
| 50      |               |           | (NP) Internal hex nut           |
| 51      |               |           | (NP) Front end housing          |
| 52      |               |           | (NP) Stop pin                   |
| 53      |               |           | (NP) End plate                  |
| 54      |               |           | (NP) Hex nut                    |
| 55      | YGSS2800D-55  | 02682     | Shredder gear                   |
| 56      |               | 28623     | Set piece complete              |
| 57      |               |           | (NP) Flat key                   |
| 58      |               |           | (NP) Cutter shaft               |
| 59      |               |           | (NP) Cutter shaft sleeve        |
| 60      |               |           | (NP) Internal hex nut           |
| 61      |               |           | (NP) Adjusting knob             |
| 62      |               |           | (NP) Adjusting screw nut baffle |
| 63      |               |           | (NP) Locknut                    |
| 64      |               |           | (NP) Knife rest                 |
| 65      | YGSS2800D-69A | 92678     | Switch box assembly             |
| 66      |               |           |                                 |
| 67      |               |           |                                 |
| 68      |               |           |                                 |
| 69      |               |           |                                 |
| 70      |               |           |                                 |
| 71      |               |           | (NP) Warning placard            |
| 72      |               |           | (NP) Engine base                |
| 73      |               |           | (NP) Hexagon bolt               |
| 74      |               |           | (NP) Gasket                     |
| 75      |               |           | (NP) Left tube support          |
| 76      |               |           | (NP) Right tube support         |
| 77      |               |           | (NP) Feedstock canister         |



230V QUIET

# GARDEN SHREDDER

97974 – GSS2800D SPARE PARTS LISTING

| KEY No. | PART No.      | STOCK No. | DESCRIPTION              |
|---------|---------------|-----------|--------------------------|
| 78      |               |           | (NP) Screw               |
| 79      |               |           | (NP) Lower cover         |
| 80      |               |           | (NP) Screw               |
| 81      | YGSS2800D-83A | 92680     | Bayonet socket assembly  |
| 82      |               |           |                          |
| 83      |               |           |                          |
| 85      |               |           |                          |
| 86      |               |           |                          |
| 84      |               |           | (NP) Bayonet socket box  |
| 87      | YGSS2800A-90A | 92681     | Collection box assembly  |
| 88      |               |           |                          |
| 89      |               |           |                          |
| 90      |               |           |                          |
| 91      | YGSS2800D93A  | 92682     | Supporting tube assembly |
| 92      |               |           |                          |
| 93      |               |           |                          |
| 100     |               |           |                          |
| 101     |               |           |                          |
| 94      | YGSS2800D-97A | 92683     | Wheel assembly (pairs)   |
| 95      |               |           |                          |
| 96      |               |           |                          |
| 97      |               |           |                          |
| 98      |               |           |                          |
| 99      |               |           |                          |
| 102     |               |           | (NP) Screw               |
| 103     |               |           | (NP) Connection line     |
| 104     |               |           | (NP) Connection line     |
| 105     |               |           | (NP) Connection line     |
| 106     |               |           | (NP) Connection line     |
| 107     |               |           | (NP) Connection line     |