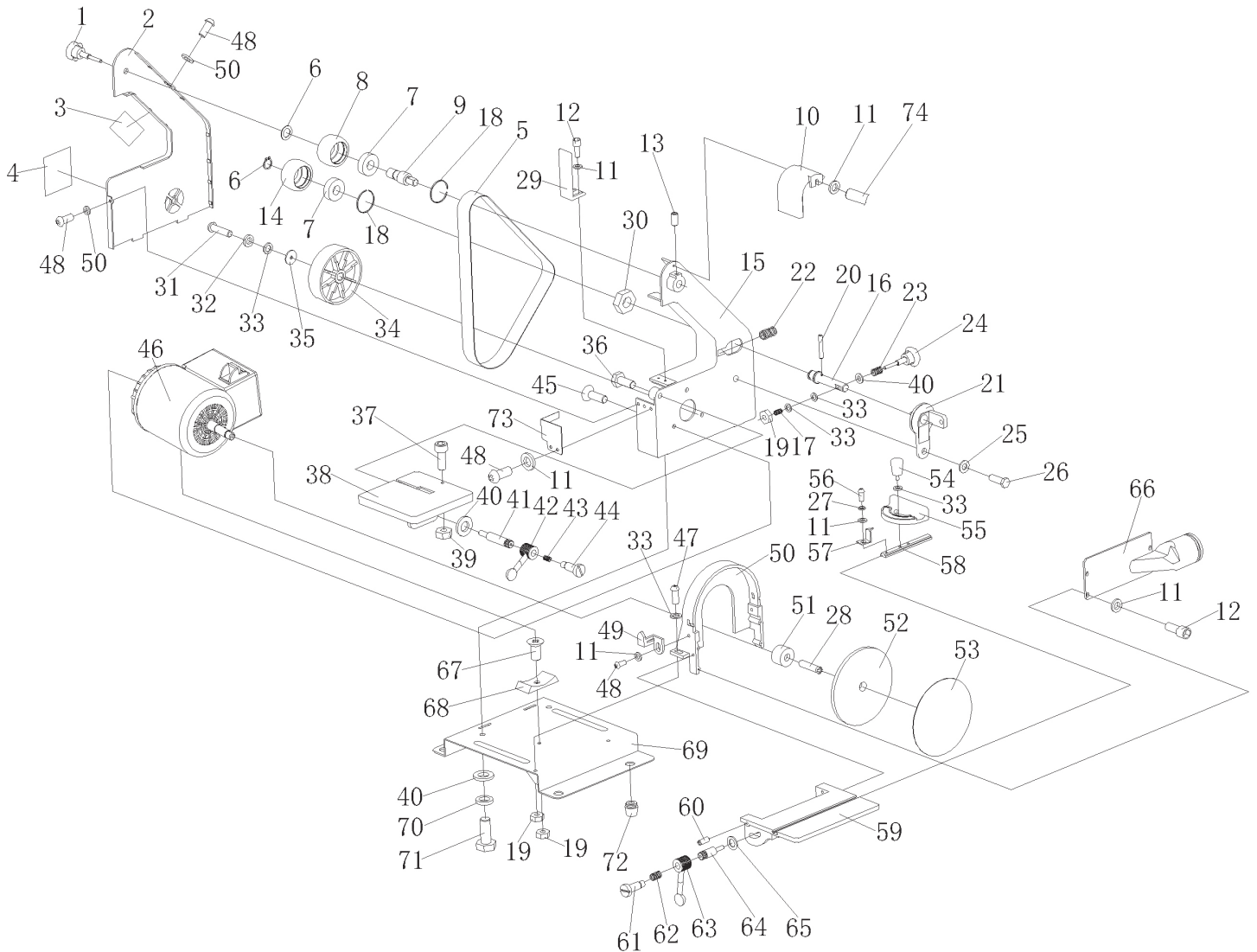


230V BELT & DISC SANDER

98419 – BDS300SF SPARE PARTS DRAWING

STORM FORCE





230V BELT & DISC SANDER



98419 – BDS300SF SPARE PARTS LISTING



KEY No.	PART No.	STOCK No.	DESCRIPTION			
1	YBDS300SF-01	70184	Knob			
2	YBDS300SF-02	70187	Belt cover			
5			Sanding belt			
6	YBDS300SF-08A	70188	Upper wheel assembly			
7						
8						
18						
6	YBDS300SF-14A	70196	Tension wheel assembly			
7						
14						
30						
10	YBDS300SF-10	70195	Belt protector			
11	YBDS300SF-55A	70242	Mitre gauge assembly			
27						
33						
54						
55						
56						
57						
58						
12						(NP) Screw
13						(NP) Screw
15	YBDS300SF-15	70197	Body			
16	YBDS300SF-21A	70207	Adjustment plate assembly			
17						
19						
20						
21						
22						
23						
24						
25						
26						
33						
40						
28	YBDS300SF-52A	70241	Aluminum disc assembly			
51						
52						
29	YBDS300SF-29	70211	Belt bracket			

KEY No.	PART No.	STOCK No.	DESCRIPTION
31	YBDS300SF-34A	70216	Drive wheel assembly
32			
33			
34			
35			
36			(NP) Bolt
37			(NP) Bolt
38	YBDS300SF-38	70229	Belt table
39			(NP) Nut
40	YBDS300SF-41A	70230	Belt table locking handle assembly
41			
42			
43			
44			
45			(NP) Screw
46	YBDS300SF-46	70231	Motor & switch box
47			(NP) Screw
48			(NP) Screw
49	YBDS300SF-49	70232	Pointer
50	YBDS300SF-50	70235	Disc sanding cover
53			Sanding disc
59	YBDS300SF-59A	70246	Disc table assembly
60			
61	YBDS300SF-61A	70251	Disc table locking handle assembly
62			
63			
64			
65			
66	YBDS300SF-66	70261	Dust collector plate
67	YBDS300SF-69A	70262	Base assembly
68			
69			(NP) Washer
70			(NP) Bolt
72	YBDS300SF-72	70263	Rubber foot (x4)
73	YBDS300SF-73	70264	Protection guard
74			(NP) Bolt