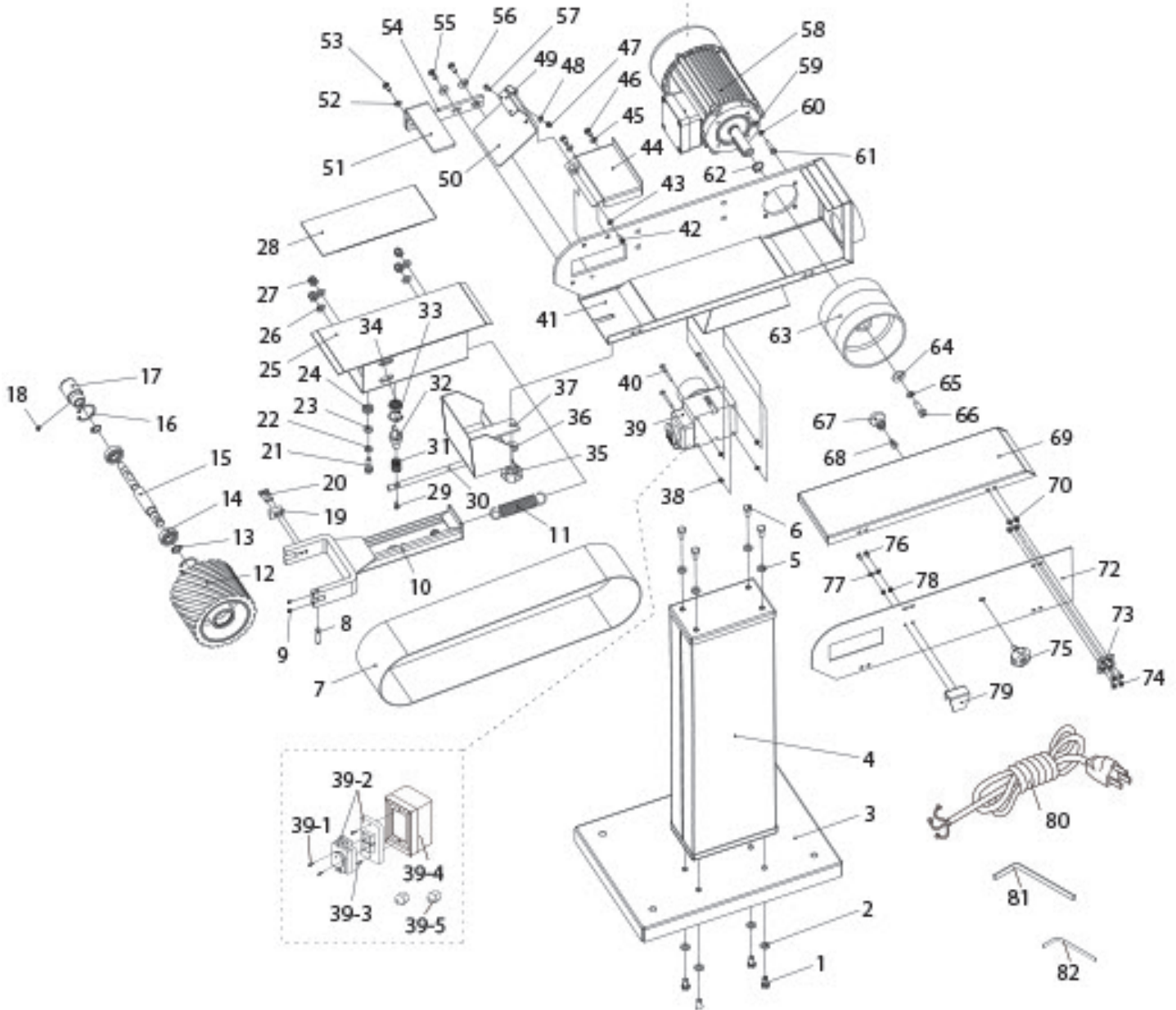
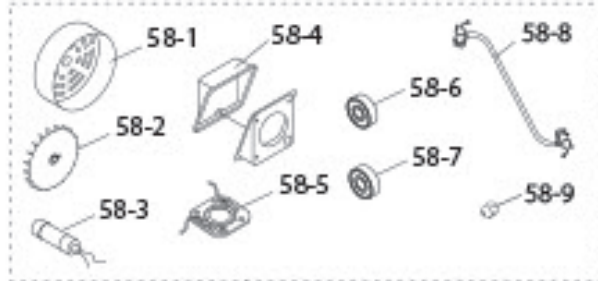


230V

BELT LINISHER

98421 – BL1500D SPARE PARTS DRAWING





230V BELT LINISHER

98421 – BL1500D SPARE PARTS LISTING

KEY No.	PART No.	STOCK No.	DESCRIPTION
1			(NP) Bolt
2			(NP) Washer
3			(NP) Base
4	ABL1500D	98422	Column stand
5			(NP) Washer
6			(NP) Bolt
7			Sanding belt
8	YBL1500D-32	13819	Belt support and tension assembly
9			
10			
11			
19			
20			
21			
22			
23			
24			
25			
26			
27			
28			
29			
30			
31			
32			
33			
34			
12	YBL1500D-12	13817	Contact wheel assembly
13			
14			
15			
16			
17			
18			
35	YBL1500D-37	13905	Spark trap assembly
36			
37			
38	YBL1500D-39	13997	Switch assembly
39			
40			
41			(NP) Body
42	YBL1500D-44	14070	Wheel shield assembly
43			
44			
45			
46			

KEY No.	PART No.	STOCK No.	DESCRIPTION
47	YBL1500D-50	14071	Eyeshield assembly
48			
49			
50			
57			
51			
52	YBL1500D-54	14183	Work rest assembly
53			
54			
55			
56			
58	YBL1500D-58	14412	Motor assembly
59			
60			
61			
62			
63	YBL1500D-63	14453	Drive wheel assembly
64			
65			
66			
67	YBL1500D-67	14454	Knob assembly
68			
69	YBL1500D-69	16561	Belt guard assembly
70			
72	YBL1500D-72	16562	Belt access panel assembly
73			
74			
75	YBL1500D-75	16563	Knob bolt
76	YBL1500D-79	16637	Key plate assembly
77			
78			
79			
80	YBL1500D-80	16661	Power cord
81	YBL1500D-81	18071	Hex key wrench set
82			