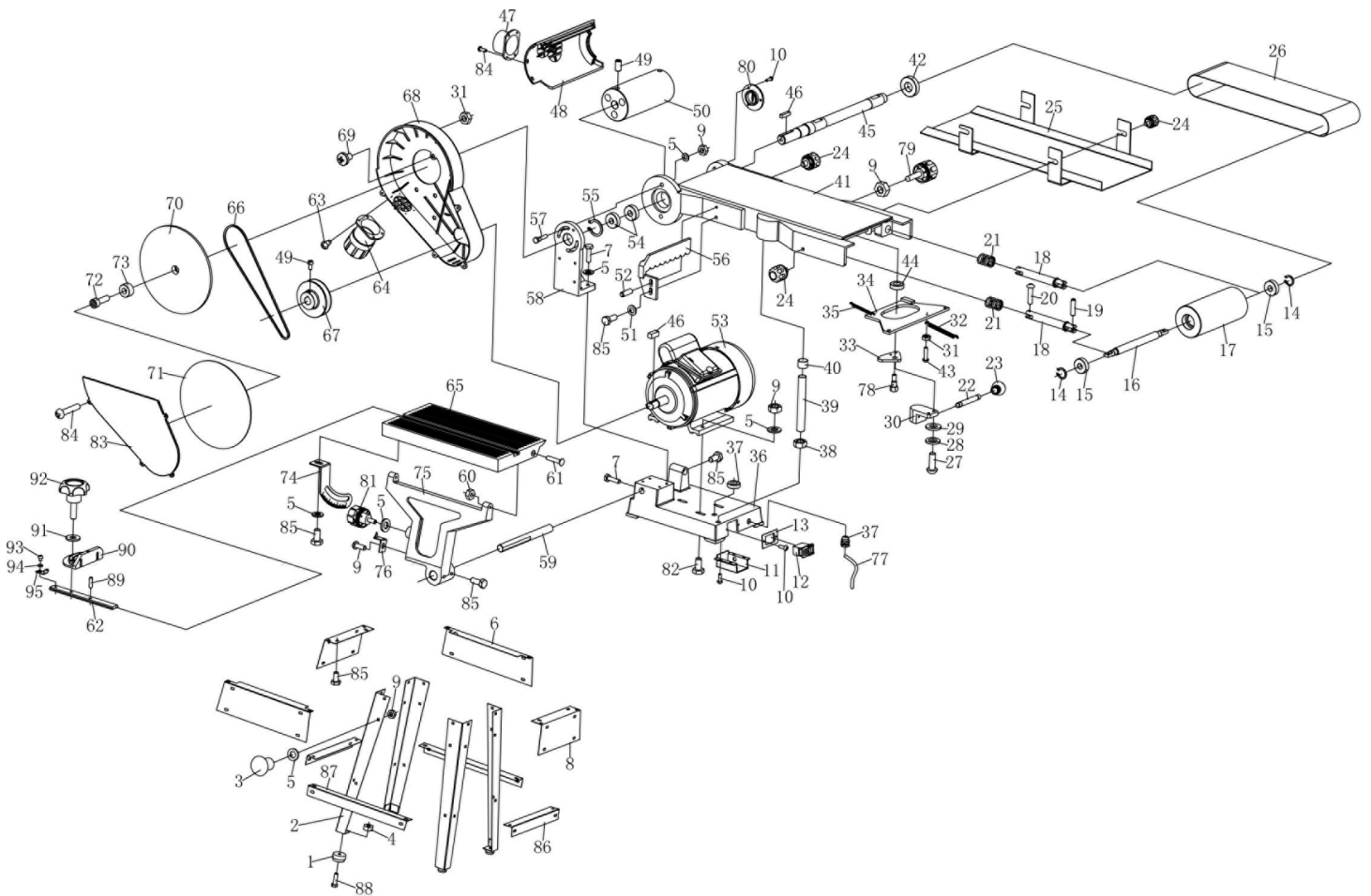


230V

BELT & DISC SANDER

98423 – BDS750E SPARE PARTS DRAWING





230V



BELT & DISC SANDER

98423 – BDS750E SPARE PARTS LISTING

KEY No.	PART No.	STOCK No.	DESCRIPTION
01	YBDS750E-01A	70070	Stand assembly
02			
03			
04			
05			
06			
08			
09			
85	YBDS750E-53A	70127	Motor assembly
86			
87			
88			
05	YBDS750E-11A	70071	Switch box assembly
09			
46			
53			
82	YBDS750E-17A	70103	Drive wheel assembly
10			
11			
12			
13	YBDS750E-18A	70104	Sustain shaft assembly
14			
15			
16			
17	YBDS750E-22A	70108	Handle assembly
18			
19			
20			
21	YBDS750E-24	70110	Cover securing knob
22			
23			
24			
25	YBDS750E-25	70112	Guard
26			
27			
28			
29	YBDS750E-41A	70113	Sanding belt frame assembly
30			
31			
32			
33			
34			
35			
41			
43			
44			
78	YBDS750E-36	70115	Base
36			

KEY No.	PART No.	STOCK No.	DESCRIPTION
37			(NP) Tightener
38	YBDS750E-39A	70117	Support rod assembly
39			
40	YBDS750E-50A	70120	Drive wheel assembly
42			
45			
46			
49			
50			
54	YBDS750E-48A	70121	Outlet cover assembly
55			
47	YBDS750E-56A	70128	Stop block assembly
48			
51	YBDS750E-58	70129	Bracket
52			
56	YBDS750E-59	70137	Support shaft
57			
58	YBDS750E-75A	70160	Table support bracket assembly
59			
60			
61			
75	YBDS750E-90A	70175	Mitre gauge assembly
76			
81			
62			
89			
90			
91	YBDS750E-64	70138	Outlet
92			
93			
94			
95	YBDS750E-65	70140	Table
63			
64	YBDS750E-66	70142	V-belt
65			
66	YBDS750E-67	70143	Motor pulley
67			
68	YBDS750E-68A	70144	Pulley cover assembly
69			
70	YBDS750E-70A	70159	Sanding disc assembly
72			
73			
71	YBDS750E-74	70161	Angle gauge
74			
77	YBDS750E-79	70162	Adjusting knob
77			
79	YBDS750E-80	70168	Bearing cover
80			
83	YBDS750E-83A	70170	Disc cover assembly
84			

Helpline: +44 (0) 23 8049 4344 Sales Desk: +44 (0) 23 8049 4333 General Enquiries: +44 (0) 23 8026 6355 internet: drapertools.com email: sales@drapertools.com