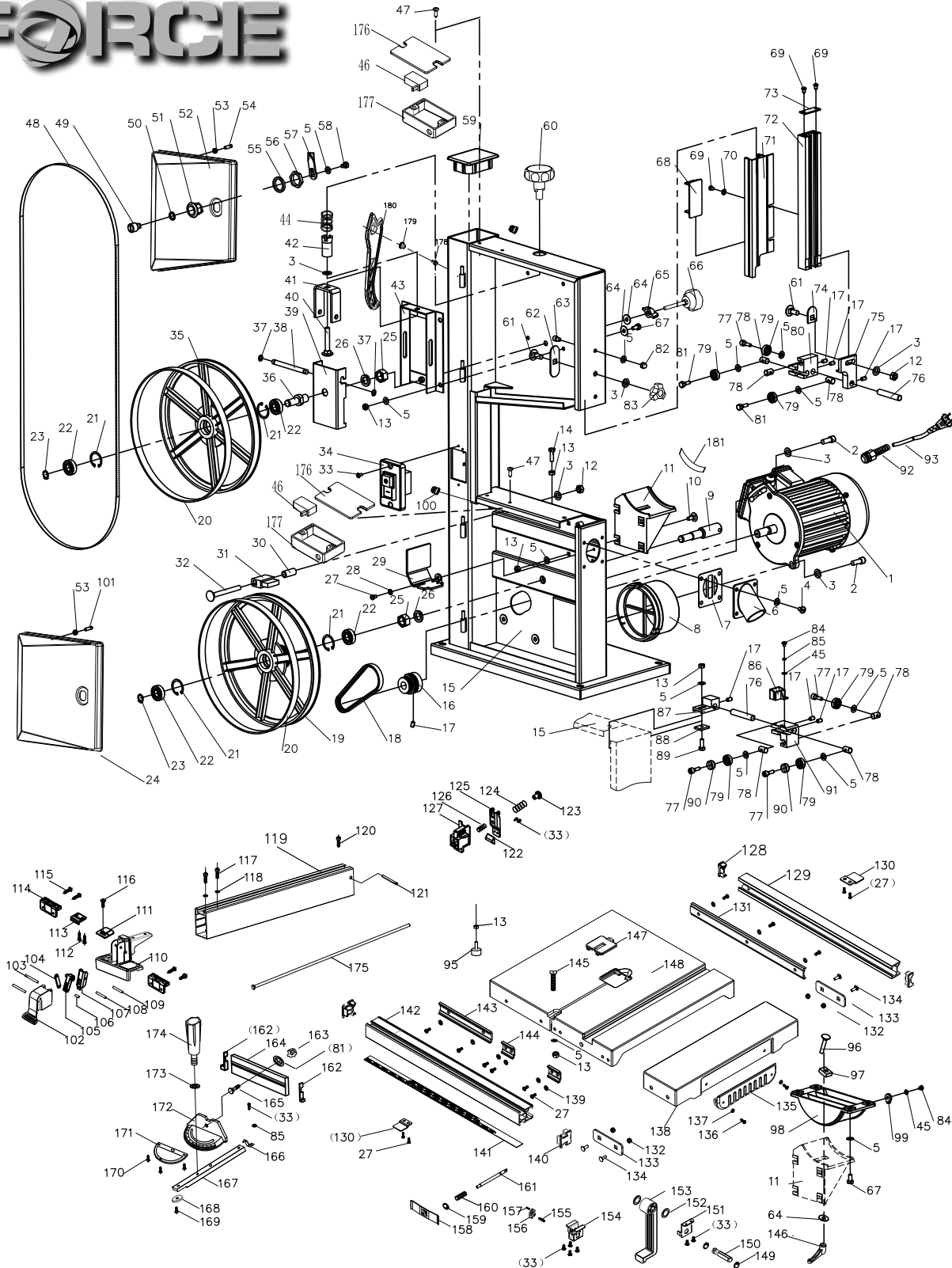


BANDSAW

98468 – BS245/420SF SPARE PARTS DRAWING

STORM FORCE





DRAPER®

230V 245mm

BANDSAW

98468 – BS245/420SF SPARE PARTS LISTING



KEY No.	PART No.	STOCK No.	DESCRIPTION
1 – 3	YBS245/420-01A	72134	Motor assembly
3, 5, 12, 17, 61 & 74 – 81	YBS245/420-75A	72137	Upper guide block assembly
3, 12 & 30 – 32	YBS245/420-31A	72138	Brush
3, 40 – 42, 44 & 60	YBS245/420-60A	72809	Blade tension knob assembly
4 – 7	YBS245/420-06A	72822	Exhaust inlet assembly
5, 13, 17, 45, 76 – 79 & 84 – 91	YBS245/420-91A	72824	Guide block assembly
8	YBS245/420-8	72826	Outlet
9, 23, 25 & 26	YBS245/420-09A	72829	Lower wheel shaft assembly
5, 10, 11, 45, 64, 67, 84, 96 – 99, 146 & 181	YBS245/420-11A	72832	Table adjust assembly
5, 24, 49 – 51, 53, 55 – 58 & 101	YBS245/420-24A	72834	Lower door assembly
14			(NP) M6x20 bolt
15			(NP) Frame
16 & 17	YBS245/420-16A	72835	Motor pulley assembly
18	YBS245/420-18	72908	Belt
19 – 22	YBS245/420-19A	72928	Lower wheel assembly
20 – 22 & 35	YBS245/420-35A	73045	Upper wheel assembly
27 – 29	YBS245/420-29A	73079	Guide assembly
33 & 34	YBS245/420-34A	73272	Switch assembly
23, 25, 26 & 36	YBS245/420-36A	73289	Upper wheel shaft assembly
37 – 39	YBS245/420-39A	73293	Pulling plate assembly
43			(NP) Fasten seat
46, 47, 176 & 177	YBS245/420-46A	73301	Mirco switch assembly
48			Blade

KEY No.	PART No.	STOCK No.	DESCRIPTION
5 & 49 – 58	YBS245/420-52A	73302	Upper door assembly
59	YBS245/420-59	73309	End cap
3, 61, 62 & 83	YBS245/420-62A	73313	Pressing assembly
63			(NP) Bolt M6x8
64 – 66	YBS245/420-66A	73708	Handle assembly
68 – 73	YBS245/420-73A	73736	Protecting cover assembly
82			(NP) Nut
92 & 93	YBS245/420-92A	73748	Power cord assembly
95	YBS245/420-95	73754	Support pad
100			(NP) Cable shield
33, 102 – 127 & 175	YBS245/420-119A	73851	Fence assembly
27, 33, 128 – 144 & 147 – 161	YBS245/420-148A	74002	Table assembly
145			(NP) M6x35 bolt
33, 85 & 162 – 174	YBS245/420-172A	74005	Angle guide assembly
178			(NP) Bolt M8x14
179			(NP) Knob
180	YBS305/750-191	98682	Pushout rod