

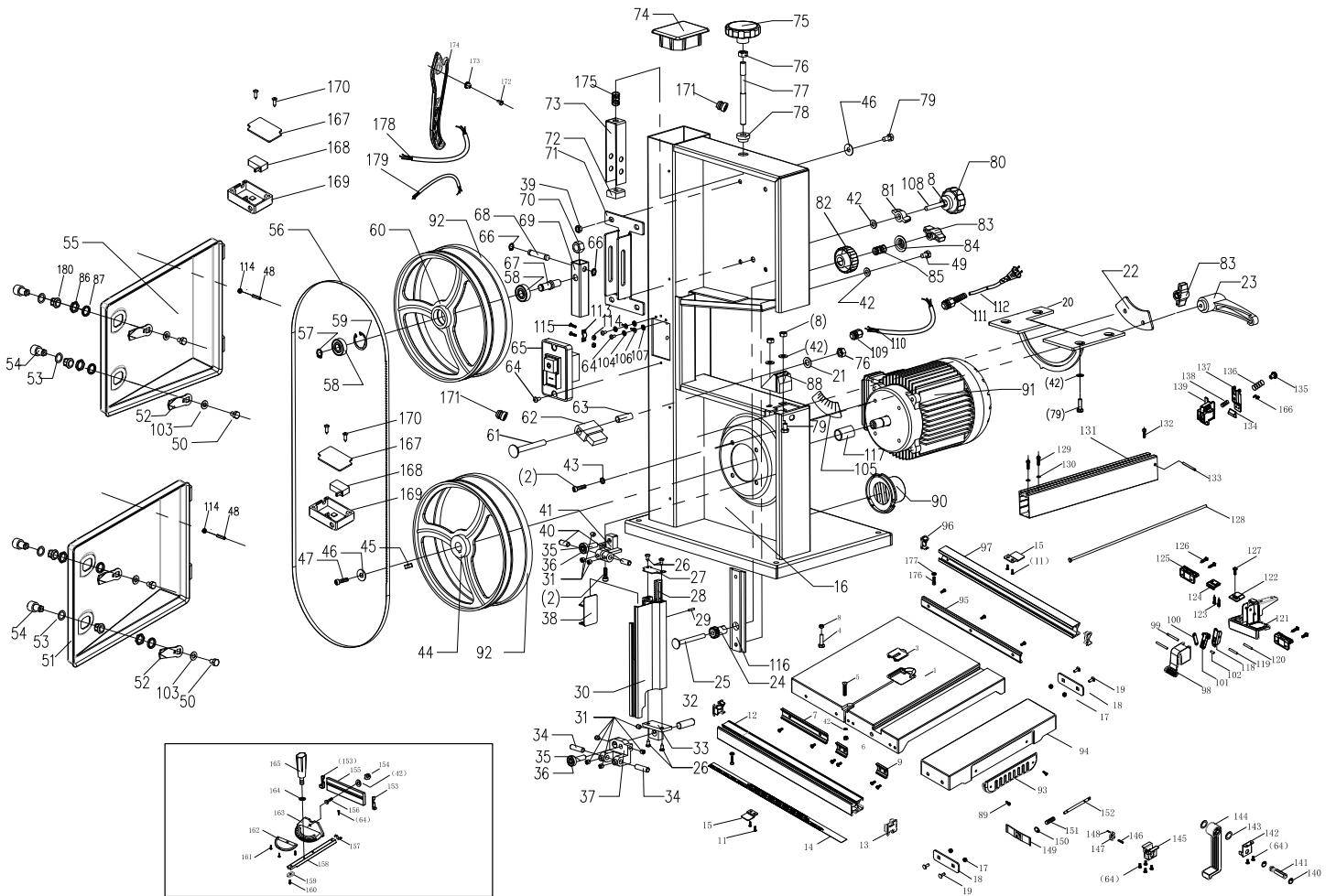
**DRAPER**<sup>®</sup>

230V 200mm

# BANDSAW

98471 – BS200/250SF SPARE PARTS DRAWING

# STORM FORCE



230V 200mm



# BANDSAW

98471 – BS200/250SF SPARE PARTS LISTING



KEY No.	PART No.	STOCK No.	DESCRIPTION
1, 3, 7, 9, 11 – 15, 17 – 19, 64, 89, 93 – 97, 140 – 152, 176 & 177	YBS200/250-01A	69461	Table assembly
2, 31, 35, 36, 40 & 41	YBS200/250-41A	69614	Upper guide block assembly
4			(NP) M6x16 bolt
5			(NP) M6x35 bolt
16			(NP) Frame
2, 20, 22, 23, 43 & 105	YBS200/250-20A	69686	Table adjust assembly
8, 42, 80, 81 & 108	YBS200/250-81A	69904	Tracking assembly
21, 61 – 63 & 76	YBS200/250-62A	69907	Brush assembly
24, 25 & 82 – 85	YBS200/250-82A	69913	Tracking knob assembly
26 – 38	YBS200/250-27A	69955	Upper guide block and protecting cover assembly
39			(NP) Anti-loose nut M6
42, 64 & 153 – 165	YBS200/250-163A	69973	Angle guide assembly
44 & 92	YBS200/250-44A	69976	Lower wheel assembly
45 & 91	YBS200/250-91A	70362	Motor assembly
46			(NP) Washer 6
47			(NP) M6x16 bolt
48, 50 – 54, 86, 87, 103, 114 & 180	YBS200/250-51A	71105	Lower door assembly
48, 50, 52 – 55, 86, 87, 103, 114 & 180	YBS200/250-52A	71116	Upper door assembly
49			(NP) M6x10 bolt

KEY No.	PART No.	STOCK No.	DESCRIPTION
56			Blade
57 & 66 – 70	YBS200/250-68A	71184	Adjusting rod assembly
58 – 60 & 92	YBS200/250-60A	71218	Upper wheel assembly
64			(NP) M4x8 cross screw
65	YBS200/250-65	71243	Solenoid switch
71 – 73, 75 – 78 & 175	YBS200/250-73A	71294	Adjusting plate assembly
74	YBS200/250-74	71359	Plastic plug
79			(NP) M6x12 bolt
88	YBS200/250-88	71360	Blade Protector
90	YBS200/250-90	71365	Dust Outlet
98 – 102, 118 – 139 & 166	YBS200/250-131A	72102	Fence assembly
104			(NP) Spring washer 4
106			(NP) Wiring clip
107			(NP) 4 washer
109 – 112	YBS200/250-110A	72129	Power cord assembly
113			(NP) Pressure plate
115			(NP) M5x18 cross screw
116			(NP) Slide block
117	YBS200/250-117	72132	Bush
167 – 170	YBS200/250-168A	72133	Micro switch assembly
171			(NP) Cable shield
172			(NP) Bolt
173			(NP) Knob
174	YBS305/750-191	98682	Pushout rod
178			(NP) Internal wiring L
179			(NP) Internal wiring S